

SINGER
91W1,W7

PRICE LIST

OF

PARTS



FOR FAMILY SHOPS

MACHINES

Nos. 9w1 and 9w7

THE SINGER MANUFACTURING COMPANY

INDEX

	PAGE
ACCESSORIES	19
ATTACHMENTS	19
BRAIDER	20
CABINET TRIMMINGS	28
EMBROIDERY ATTACHMENT	20
FEED DOGS	22
HEMMERS	21
HEMSTITCHER	21
MACHINE No. 9w1	7
" " 9w7	13
NUMERICAL LIST OF PARTS	35
OBSOLETE PARTS	32
PARTS FOR ART WORK	21
" " REPAIRS ONLY	24
STANDS	25
THROAT PLATES	22
TUFT CAR TRIMMING ATTACHMENT	23
TUCK FOLDER	23
UNDER BRAIDER	24

NEEDLES

Shape of Shank - Flat; Diameter of Shank—.069; Length of Needle from the eye to the upper end— $1\frac{1}{2}$ inch.

Class No.	Explanation	Sizes
127 x 1	For family use	8, 9, 10, 12, 14, 16, 18, 20, 22, 23

Instructions for Ordering

In ordering from this list, use **ONLY** the **PART** number in the **FIRST** column.

The number stamped on a Sewing Machine Part is the number of the Single Part only, except when the part includes Set Screws, Clamping Screws, Studs and Rollers Spun on, Small Wires riveted, or Parts soldered together, etc., which it is necessary to furnish in combination.

Every combination of parts sent out has its specific number which, although not stamped on Parts (except in above cases) must be used when ordering the combination.

Each number always indicates the **SAME PART** in whatever list it appears, or for whatever Machine.

The letters after some of the numbers indicate the style of finish only, as follows:

- A. Hardened, Polished and Plated.
- B. Polished and Plated.
- C. Hardened only.
- D. Polished only.
- E. Soft, not polished.
- F. Hardened and Polished.
- H. Blued.

These letters **MUST BE USED** when they appear in the list and **AFTER** the number, as in the list.

In this series

200001 to 201500 are Screw Numbers.

201501 to 201800 are Nut Numbers.

201801 to 202000 are Roller Numbers.

202001 and upward are numbers of Machine Parts.

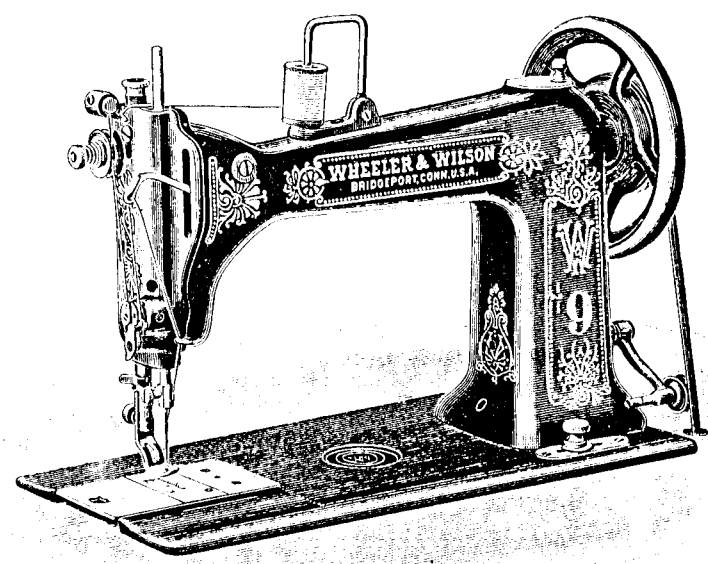
The figures in the second column refer only to the plate in which the illustration of the part is shown and are **NOT TO BE USED** in ordering.

Two or more numbers over a cut indicate that the difference between such parts is not visible in an illustration.

Parts marked with an asterisk (*) are furnished only when repairs are made at the factory.

LIST OF PARTS COMPLETE

FOR



MACHINE No. 9w1

(For Family Use)

No.	Plate	Name	Each
*202001	—	Arm with 200009H, 202002 and 202135	\$ ---
202003	—	Arm Cap	20
200468H	11393	" " Thumb Screw	20
202004	10205	" Position Pin	02
200963E	10206	" Screw (3)	10
202005	10205	" " Washer (3)	01
202006	10202	" Shaft with 200365e	1 15
202002	11393	" " Bushing	30
200009H	11393	" " " Stop Screw	07
202007	—	" " Connection with 202009 and two 200054E	85
202008	10202	Arm Shaft Connection 202007 with 201525E, 201854c and 202010	1 50
*202009	—	Arm Shaft Connection Cap	---
200054E	10206	" " " " Screw	05
201853c	—	" " " Roller	20

No.	Plate	Name	Each
201854c	10206	Arm Shaft Connection Roller	
		201853c with 200822c	\$ 30
200822c	---	Arm Shaft Connection Roller Screw Stud	20
201525E	10206	Arm Shaft Connection Roller Screw Stud Nut	05
202010	11393	Arm Shaft Connection Slide Block	25
202011	11393	" " " " " "	
		Stud	30
200427c	11393	Arm Shaft Connection Slide Block Stud Position Screw	10
200352c	11393	Arm Shaft Connection Slide Block Stud Set Screw	05
202012	11392	Balance Wheel with two 200335c ..	1 50
200365c	11393	" " Position Screw	05
202014	11392	" " Pulley (loose), 2 1/4 in. diameter	30
202015	10204	Balance Wheel Pulley Spring Washer	07
200335c	10204	Balance Wheel Set Screw	06
201569n	10204	" " Thumb Nut with 200609F	55
200609F	10204	Balance Wheel Thumb Nut Stop Screw	05
202016	10204	Balance Wheel Thumb Nut Stop Washer	07
202013	---	Balance Wheel complete, Nos. 201569n, 202012 and 202014 to 202016	2 50
*202017	---	Bed with 202029	
202018	---	" Plate (back)	35
200577n	11394	" " " Screw	02
208737	---	" Slide (front)	50
202053	10207	Bobbin	07
*202054	---	" Case	
202055	10207	" " Latch	07
*202056	---	" " " Pin	
*202100	---	" " " Post	
202101	---	" " " Washer	01
202057	10207	" " " Spring	01
202058	10207	" " " " Plunger ...	01
200984c	10207	" " Tension Regulating Screw	06
202059	10207	Bobbin Case Tension Spring (light)	20
200594c	10207	" " " " Screw	02
202145	10207	Bobbin Case complete, Nos. 200594c, 200984c, 202054 to 202059, 202100 and 202101	1 50
202061	10207	Bobbin Case Stop Bar	80
208731	10207	" " " " Position Pin	01

No.	Plate	Name	Each
200078E	10207	Bobbin Case Stop Bar Screw (2) ..	\$ 05
202132	10213	" Winder Frame	25
202133	---	" " " 202132 with 202136 and 202137	65
200229D	11396	Bobbin Winder Frame Hinge Screw	20
202134	11396	" " " Spring	06
202135	11396	" " " Stop Pin ...	01
202136	10213	" " Pulley	25
202137	11396	" " Spindle	20
200462B	10218	Cloth Guide Thumb Screw	
202021	10202	Face Plate with 200366n, 202087, 205960 and three 200368n	1 10
200053A	10206	Face Plate Screw	06
202023	10205	" " Thread Guide	01
200368n	10205	" " " " Set Screw	02
202022	---	Face Plate complete, Nos. 200577n, 202021, 202023, 202081, 202088, 202089 and 202094	3 00
202024	11393	Feed Bar with 200365c, 200687E and 202027	35
200365c	11393	Feed Bar Adjusting Screw	05
202026	11393	" " " Spring	07
200131E	10206	" " " " Screw	02
202027	11393	" " " " Stop Pin..	01
202028	11393	" " Spring (spiral)	05
200687E	11393	" " " Screw	07
202029	11393	" " " Stop	02
202025	---	Feed Bar complete, Nos. 202024, 202026, 202033 and three 200131E	1 20
202030	10205	Feed Connection	25
202032	10205	" " Lever	20
200605E	10205	" " " Screw	07
201829	---	" " " Roller	20
201813	10205	" " " 201829 with 200274E	30
200274E	10206	Feed Connection Roller Screw Stud	10
201536E	10205	" " " " " "	
		Nut	05
200301E	10205	Feed Connection Screw	06
202031	---	Feed Connection complete, Nos. 200301E, 201536E, 201813, 202030 and 202032	85
202033	10209	Feed Dog	60
200131E	10206	" " Screw	02
202034	10205	" Driving Cam with 200378c and 200441c	35
200441c	10205	Feed Driving Cam Position Screw	06
200378c	10205	" " " Set Screw	02
202035	10205	" Lifting Cam with 200390c and 202036	35

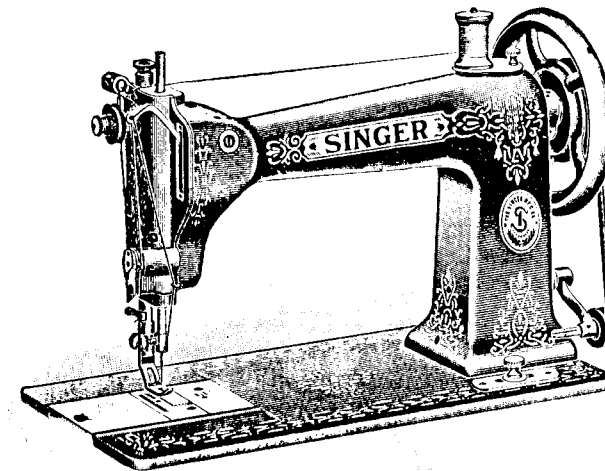
No.	Plate	Name	Each
202036	10205	Feed Lifting Cam Position Pin ..	\$ 01
200390C	10205	" " " Set Screw	02
202037	10202	" Regulating Bar	30
205985	---	" " " 202037 with 200282E and 200799E	60
200282E	10205	Feed Regulating Bar Hinge Screw	07
202038	10205	" " " Index Plate	20
200137H	10205	" " " " " Screw (2)	02
200799E	10205	Feed Regulating Screw Stud	25
201534E	10205	" " " " " Nut	05
201557R	10205	" " " Thumb Nut	25
202039	10205	" " " " " Washer	07
*202051	---	Hook (sewing)	---
*202052	---	" 202051 with 200610E, 200611E and 202063 to 202065. (Use 205999 for repairs)	---
202063	10207	Hook Gib	20
200610E	10207	" " " Hinge Screw	02
200611E	10207	" " " Screw	02
202064	10207	" Pin	01
*202065	---	" Shaft, 9 $\frac{3}{4}$ in. long. (Use 206000 for repairs)	---
*202208	---	Hook and Bobbin Case complete, Nos. 202144 and 202145. (Use 208718 for repairs)	---
*202144	---	Hook and Shaft 202052 with 202035 and 202067. (Use 208717 for repairs)	---
208825	---	Hook Shaft Crank	50
208826	---	" " " 208825 with 200378c and 200442c	55
200442c	10207	Hook Shaft Crank Position Screw	06
200378c	10205	" " " Set Screw	02
202067	10207	" Washer	20
*202041	---	Needle Bar with 200391E	---
202043	10204	" " " Connecting Link	35
200667c	10204	" " " " " Screw Stud	16
*208735	---	Needle Bar Connecting Stud	---
202042	10204	" " " " " 208735 with 200387c and 200446c	35
200446c	10204	Needle Bar Connecting Stud Po- sition Screw	06
200387c	10204	Needle Bar Connecting Stud Set Screw	02
202044	10204	Needle Bar Thimble with 200196E and 200477E	35
200196E	10206	Needle Bar Thimble Set Screw ..	02
200391E	10204	" Position Screw	02

No.	Plate	Name	Each
200477E	10204	Needle Thumb Screw	\$ 10
202045	10202	Presser Bar	50
202046	10204	" " " Guide Bracket with 200387c	25
200387c	10204	Presser Bar Guide Bracket Set Screw	02
202047	10204	Presser Bar Lifter	30
200026D	10204	" " " Hinge Screw ..	06
202048	10209	" " " Sleeve	07
202049	10209	" " " Spring	07
200499B	10209	" " " Thumb Screw (pres- sure regulating)	30
202050	10209	Presser Foot	35
200461D	10204	" " " Thumb Screw	20
202068	11401	Spool Holder Base	25
200575H	10209	" " " " Screw	07
202069	11401	" " " Wire	07
200079H	10209	" " " Screw	02
202070	11401	Spool Holder complete, Nos. 200079H, 202068 and 202069	30
202071	11392	Take-up Cam with 200335c, 200431c and 200667c	90
200431c	10206	Take-up Cam Position Screw	10
200335c	10204	" " " Set Screw	06
202072	10207	" Lever with 205951	50
208689	---	" " 202072 with 201816 and 202073	80
202073	10207	Take-up Lever Bearing	20
200037B	10207	" " " " Screw	07
201816	10207	" " " Roller	20
205951	10207	" " " " Stud	20
202074	11394	Tension Pulley	20
202149	11394	" Release Plunger	05
208696	---	" Slide	20
202076	11394	" " 208696 with 202077 ...	20
202077	11394	" " " Spring	02
202078	---	" Spring	07
200630B	---	" Stud	35
200368H	10205	" " " Set Screw	02
201572B	---	" Thumb Nut	06
202079	11394	" Washer (felt)	01
202080	11394	" " (steel)	07
202081	---	Tension complete, Nos. 200630B, 201572B, 202074, 202078, 202080, 202149 and two 202079	85
202082	11394	Thread Controller Plate	20
208708	11394	" " " 202082 with 200300c, 200581H, 202083, 202084, 202086 and 202098	65

No.	Plate	Name	Each
200577H	11394	Thread Controller Plate Screw ..	\$ 02
202098	11394	" " Roller	07
202083	11394	" " " Guard	20
202084	11394	" " " " Washer	01
200300c	11394	" " " Screw	06
202085	11394	" " Spring	05
202086	11394	" " " Guard	10
200581H	11394	" " " " Screw	02
202087	11394	" " " Stop	05
202088	11394	" " " Stud with 204925	20
200366H	11394	Thread Controller Spring Stud Set Screw	02
204925	11394	Thread Controller Spring Stud Washer	01
202089	11394	Thread Controller complete, Nos. 202085 and 208708	65
202095	10205	Thread Cutter	07
200137H	10205	" " Screw	02
205960	10206	" Retainer Guide Wire (on Face Plate)	01
202091	10209	Thread Retainer Sleeve	07
202092	10209	" " Spring (spiral)	01
202093	10209	" " Stud	10
200368H	10205	" " " Set Screw	02
202094	10209	Thread Retainer complete, Nos. 202091 to 202093	25
202097	10209	Throat Plate with 202131, for nee- dle sizes 18 and smaller	60
202131	10209	Throat Plate Needle Hole Bushing	20
200577H	11394	" " Screw (2)	02

LIST OF PARTS COMPLETE

FOR



MACHINE No. 9w7

(For Family Use)

No.	Plate	Name	Each
*208785	---	Arm with 200009H, 202002 and 202135	\$ --
208786	11393	Arm Cap	20
200468H	11393	" " Thumb Screw	20
202004	10205	" Position Pin	02
200963E	10206	" Screw (3)	10
202005	10205	" " Washer (3)	01
202006	10202	" Shaft with 200365c	1 15
202002	11393	" " Bushing	30
200009H	11393	" " " Stop Screw	07
202007	---	" " Connection with 202009 and two 200054E	85
202008	10202	Arm Shaft Connection 202007 with 201525E, 201854c and 202010	1 50
*202009	---	Arm Shaft Connection Cap	---
200054E	10206	" " " " Screw	05
201853c	---	" " " " Roller	20
201854c	10206	" " " " 201853c with 200822c	30
200822c	---	Arm Shaft Connection Roller Screw Stud	20

No.	Plate	Name	Each
201525E	10206	Arm Shaft Connection Roller Screw	
		Stud Nut	\$ 05
202010	11393	Arm Shaft Connection Slide Block	25
202011	11393	" " " " "	
		Stud	30
200427C	11393	Arm Shaft Connection Slide Block	
		Stud Position Screw	10
200352C	11393	Arm Shaft Connection Slide Block	
		Stud Set Screw	05
2007	11393	Arm Spool Pin	02
202012	11392	Balance Wheel with two 200335C	1 50
200365C	11393	" " Position Screw	05
208783	---	" " Pulley, 2 1/4 in. diameter	30
202015	10204	Balance Wheel Pulley Spring	
		Washer	07
200335C	10204	Balance Wheel Set Screw	06
201569B	10204	" " Thumb Nut with	
		200609F	55
200609F	10204	Balance Wheel Thumb Nut Stop	
		Screw	05
202016	10204	Balance Wheel Thumb Nut Stop	
		Washer	07
208784	---	Balance Wheel complete, Nos. 201569B, 202012, 202015, 202016 and 208783	2 50
*208787	---	Bed with 202029 and two 448C	---
448C	---	" Hinge Connection Screw	05
208778	11393	" Plate (back)	35
200577B	11394	" " " Screw	02
208799	11392	" Slide (front)	55
202265	---	Bobbin	10
*208810	---	" Case	---
208819	---	" " Latch	07
*202056	---	" " " Pin	---
202270	---	" " " Spring	01
202269	---	" " " Plunger	07
200984	10207	" " Tension Regulating	
		Screw	06
208772	10207	Bobbin Case Tension Spring	20
200594C	10207	" " " " Screw	02
208811	---	Bobbin Case complete, Nos. 200594C, 200984C, 202056, 202269, 202270, 208772, 208810 and 208819	1 50
202061	10207	Bobbin Case Stop Bar	80
208731	10207	" " " Position Pin	01
200078F	10207	" " " " Screw (2)	05
208791	11396	" Winder Frame	25
208747	11396	" " " 208791 with 202137 and 208746	65

No.	Plate	Name	Each
200229D	11396	Bobbin Winder Frame Hinge Screw	\$ 20
202134	11396	" " " Spring	06
202135	11396	" " " Stop Pin	01
208746	11396	" " Pulley	30
202137	11396	" " Spindle	20
200462B	10218	Cloth Guide Thumb Screw	20
202021	10202	Face Plate with 200366H, 202087, 205960 and three 200368H	1 10
200053A	10206	Face Plate Screw	06
202023	10205	" " Thread Guide	01
200368H	10205	" " " " Set Screw	02
208795	---	Face Plate complete, Nos. 200577B, 202021, 202023, 202088, 202089, 202094 and 208790	3 00
202024	11393	Feed Bar with 200365C, 200687F and 202027	35
200365C	11393	Feed Bar Adjusting Screw	05
202026	11393	" " " Spring	07
200131E	10206	" " " " Screw	02
202027	11393	" " " " Stop Pin	01
202028	11393	" " Spring (spiral)	05
200687E	11393	" " " Screw	07
202029	11393	" " " Stop	02
202025	---	Feed Bar complete, Nos. 202024, 202026, 202033 and three 200131E	1 20
202030	10205	Feed Connection	25
202032	10205	" " Lever	20
200605E	10205	" " " Screw	07
201829	---	" " Reller	20
201813	10205	" " " 201829 with 200274E	30
200274E	10206	Feed Connection Roller Screw Stud	10
201536E	10205	" " " " " " Nut	05
200301E	10205	Feed Connection Screw	06
202031	---	Feed Connection complete, Nos. 200301E, 201536E, 201813, 202030 and 202032	85
202033	10209	Feed Dog	60
200131E	10206	" " Screw	02
202034	10205	" Driving Cam with 200378C and 200441C	35
200441C	10205	Feed Driving Cam Position Screw	06
200378C	10205	" " " Set Screw	02
202035	10205	" Lifting Cam with 200390C and 202036	35
202036	10205	Feed Lifting Cam Position Pin	01
200390C	10205	" " " Set Screw	02

Parts for Machine No. 9w7

No.	Plate	Name	Each
202037	10202	Feed Regulating Bar	\$ 30
205985	---	" " " 202037 with 200282E and 200799E	60
200282E	10205	Feed Regulating Bar Hinge Screw	07
202038	10205	" " Index Plate	20
200137H	10205	" " " " Screw (2)	02
200799E	10205	" " Screw Stud	25
201534E	10205	" " " " Nut ...	05
201557R	10205	" " Thumb Nut	25
202039	10205	" " " " Washer	07
*202051	---	Hook (sewing)	---
*202052	---	" 202051 with 200610E, 200641E and 202063 to 202065. (Use 205999 for repairs)	---
202063	10207	Hook Gib	20
200610E	10207	" " Hinge Screw	02
200611E	10207	" " Screw	02
202064	10207	" Pin	01
*202065	---	" Shaft, 9 $\frac{1}{2}$ in. long. (Use 206000 for repairs)	---
*208754	---	Hook and Bobbin Case complete, Nos. 202144 and 208811	---
*202144	---	Hook and Shaft 202052 with 202035 and 202067. (Use 208717 for repairs)	---
208825	---	Hook Shaft Crank	50
208826	---	" " " 208825 with 200378C and 200442C	55
200442C	10207	Hook Shaft Crank Position Screw	06
200378C	10205	" " " Set Screw ...	02
202067	10207	" Washer	20
*202041	---	Needle Bar with 200391E	---
202043	10204	" " Connecting Link	35
200667C	10204	" " " " Screw Stud	10
*208735	---	Needle Bar Connecting Stud	---
202042	10204	" " " " 208735 with 200387C and 200446C	35
200446C	10204	Needle Bar Connecting Stud Posi- tion Screw	06
200387C	10204	Needle Bar Connecting Stud Set Screw	02
202044	10204	Needle Bar Thimble with 200196E and 200477E	35
200196E	10206	Needle Bar Thimble Set Screw ..	02
200391E	10204	" Position Screw	02
200477E	10204	" Thumb Screw	10
202045	10202	Presser Bar	50
202046	10204	" " Guide Bracket with 200387C	25

Parts for Machine No. 9w7

No.	Plate	Name	Each
200387C	10204	Presser Bar Guide Bracket Set Screw	\$ 02
202047	10204	Presser Bar Lifter	30
200026D	10204	" " " Hinge Screw ..	06
202048	10209	" " Sleeve	07
202049	10209	" " Spring	07
200499B	10209	" " Thumb Screw (pres- sure regulating)	30
202050	10209	Presser Foot	35
200461D	10204	" " Thumb Screw	20
202071	11392	Take-up Cam with 200335C, 200431E, and 200667C	90
200431C	10206	Take-up Cam Position Screw	10
200335C	10204	" " Set Screw	06
202072	10207	" Lever with 205951	50
208689	---	" " 202072 with 201816 and 202073	50
202073	10207	Take-up Lever Bearing	20
200037B	10207	" " " Screw	07
201816	10207	" " Roller	20
205951	10207	" " " Stud	20
202074	11394	Tension Pulley	20
202149	11394	" Release Plunger	05
208696	---	" Slide	20
202076	11394	" " 208696 with 202077 ...	20
202077	11394	" " Spring	02
208789	11394	" Spring	07
200987B	11394	" Stud	35
200368H	10205	" " Set Screw	02
201613B	11394	" Thumb Nut	06
202079	11394	" Washer (felt)	01
202080	11394	" " (steel)	07
208790	11394	Tension complete, Nos. 200987B, 201613B, 202074, 202080, 202149, 208789 and two 202079	85
202082	11394	Thread Controller Plate	20
208708	11394	" " " 202082 with 200300C, 200581H, 202083, 202084, 202086 and 202098	65
200577H	11394	Thread Controller Plate Screw ..	02
202098	11394	" " Roller	07
202083	11394	" " " Guard	20
202084	11394	" " " Washer	01
200300C	11394	" " " Screw	06
202085	11394	" " Spring	05
202086	11394	" " " Guard	10
200581H	11394	" " " " Screw	02
202087	11394	" " " Stop	05
202088	11394	" " " Stud with 204925	20

No.	Plate	Name	Each
200366H	11394	Thread Controller Spring Stud Set Screw	\$ 02
204925	11394	Thread Controller Spring Stud Washer	01
202089	11394	Thread Controller complete, Nos. 202085 and 208708	65
202095	10205	Thread Cutter	07
200137H	10205	" " Screw	02
205960	10206	" Retainer Guide Wire (on Face Plate)	01
202091	10209	Thread Retainer Sleeve	07
202092	10209	" " Spring (spiral) ...	01
202093	10209	" " Stud	10
200368H	10205	" " " Set Screw ...	02
202094	10209	Thread Retainer complete, Nos. 202091 to 202093	25
202097	10209	Throat Plate with 202131, for needle sizes 18 and smaller ...	60
202131	10209	Throat Plate Needle Hole Bushing	20
200577H	11394	" " Screw (2)	02

ACCESSORIES

FOR MACHINE No. 9w1

No.	Plate	Name	Each
202053	10207	Bobbin (5)	\$ 07
231337	10218	Cloth Guide	20
225503	10218	Hemmer (foot), for $\frac{3}{8}$ in. hem ...	55
225507	10218	Presser Foot, for braiding	50
225508	10218	" " " gathering	35
231338	10218	Quilter	07
25538	11398	Screw Driver (bobbin case)	07
202096	10209	Throat Plate, for needle size 20 ..	50
127 x1	---	Needles, three each, sizes 12 and 14	---
225013	10214	Drip Pan with four wood screws $\frac{1}{2}$ in., No. 5	30
36569	---	Oiler with 36571	07
36570	---	" 36569 filled with oil	10
36571	---	" Spout, $1\frac{1}{4}$ in. long	01
225557	11401	Screw Driver (machine) (supplied only when a set of Attachments is not sent)	07

ATTACHMENTS

FOR MACHINE No. 9w1

231332	11397	Binder	80
231333	11398	Hemmer (adjustable)	1 50
231334	11397	Ruffler	1 75
231340	---	" 231334 with 200160B and 231335	1 85
231335	11397	Ruffler Shirring Plate	20
200160B	11397	" " " Screw	06
25537	11397	Screw Driver (machine)	20
231336	11398	Tucker	1 50
231331	---	Set complete, Nos. 25537, 231332, 231333, 231336 and 231340	5 65

No.	Plate	Name	Each
201564B	11421	Folder Screw Stud Thumb Nut	\$.06
202600	11421	" " " " "	
		Washer01
225926	11420	Space Gauge50
200843E	11421	" " Stop Screw Stud02
201562B	10222	" " " " " Thumb Nut05
202603	11421	Space Gauge Stop Screw Stud Thumb Nut Washer01
225927	11420	Tuck Folder complete, Nos. 200090c, 200318H, 200836F, 200843E, 201562B, 201564B, 202600, 202603, 206840, 225923, 225924 and 225926	2 .30
202388	---	Presser Foot, for tucks narrower than $\frac{1}{4}$ inch80

UNDER BRAIDER

FOR MACHINE No. 9w7

208782	---	Presser Foot35
208781	---	Under Braider30

PARTS FOR REPAIRS ONLY

*206000	---	Hook Shaft, 9 $\frac{1}{2}$ in. long (splined), in place of 202065	---
205999	---	Hook 202051 with 200610E, 200611E, 202063, 202064 and 206000, in place of 202052	2 .30
208717	10206	Hook and Shaft 205999 with 202035 and 202067, in place of 202144 ..	2 .75
208718	---	Hook and Bobbin Case complete, Nos. 202145 and 208717, in place of 202208, for Machine No. 9w1	4 .25
205927	10206	Hook Shaft Bushing10
208755	---	Needle Bar with 200391E55
205926	10206	" " Bushing10
205927	10206	Presser Bar Bushing10

STANDS

FOR COVER SET

No.	Plate	Name	Each
225001	10214	Band Wheel, 12 in. diam., with 200524c and 225009	\$1 .40
225002	11402	Band Wheel Brake (wood) with 22516605
226182	11402	Band Wheel Brake 225002 with 200714E and 22500420
*225166	---	Band Wheel Brake Cushion (rubber)	---
225004	11402	Band Wheel Brake Washer01
225005	11401	" " Crank Shaft with 200073E and two 22500880
25362	11403	Band Wheel Crank Shaft Ball, $\frac{3}{8}$ in. diameter02
225006	11403	Band Wheel Crank Shaft Ball Bearing Cup20
225007	11403	Band Wheel Crank Shaft Ball Retainer with nine 2536235
225008	11402	Band Wheel Crank Shaft Cone20
200073E	11403	" " " " " Ad-justing Screw10
200524c	11402	Band Wheel Set Screw10
225009	11403	" " Switch20
225126	---	Belt, size $\frac{3}{4}$ in. diam., length 61 $\frac{1}{2}$ in., with 22512930
225011	11401	Belt Guide20
225129	11403	" Hook01
225012	10214	Brace80
200714E	11402	" Bolt (long) with two 201551E	.07
200717E	11402	" " (short) with 201551E ..	.05
201551E	11402	" " Nut02
*225144	---	Leg (left)	---
225014	10214	" 225144 with 225022, two each 225015 and 225016	2 .60
225015	11403	Leg Roller07
225016	11403	" " Pin01
*225145	---	" (right)	---
225017	10214	" 225145 with 200526c, 225023, two each 225006, 225015 and 225016	3 .00
225018	10214	Leg Stay Rod with two 201507E ..	.50
201507E	11402	" " " Nut02

No.	Plate	Name	Each
225019	10214	Pitman with two each 200149E and 225020	\$ 30
200149E	11403	Pitman Screw	05
225020	11403	" Washer (felt)	01
225021	10214	Treadle	95
225022	11403	" Center (left)	07
225023	11403	" " (right)	10
200526c	11402	" " " Set Screw	07
225202	-----	Stand complete, Nos. 225001, 225005, 225011, 225012, 225014, 225017 to 225019, 225021, 225126, 226182, two 225007 and three 200717E	--
FOR CABINET TABLE			
225024	10232	Band Wheel, 12 in. diam., with 200383c and 200524c	1 80
225002	11402	Band Wheel Brake (wood) with 225166	05
*225166	-----	Band Wheel Brake Cushion (rubber)	--
225025	11402	Band Wheel Brake Pin	02
200524c	11402	" " Set Screw	10
225026	11401	" " Shaft with 200073E and two 225008	60
25362	11403	Band Wheel Shaft Ball, $\frac{3}{8}$ in. diameter	02
225006	11403	Band Wheel Shaft Ball Bearing Cup	20
225007	11403	Band Wheel Shaft Ball Retainer with nine 25362	35
225008	11402	Band Wheel Shaft Cone	20
200073E	11403	" " " Adjusting Screw	10
225128	-----	Belt, size $\frac{1}{8}$ in. diam., length 67 $\frac{1}{2}$ in., with 225129	30
225129	11403	Belt Hook	01
225027	10232	Brace	80
225028	10232	" 225027 with 225002, 225010, 225025 and six 228044	1 50
200717E	11402	Brace Bolt (short) with 201551E ..	05
201551E	11402	" " Nut	02
225010	-----	" Panel (wood)	80
228044	11405	" " Rivet (double clinch) ..	01

No.	Plate	Name	Each
225029	10232	Dress Guard	\$ 50
200717E	11402	" " Bolt with 201551E	05
201551E	11402	" " " Nut	02
225168	10232	Leg (left) with 225022, two each 225015 and 225016	2 60
225130	10232	Leg 225168 with 225119	3 20
228022	11406	Leg End Board Apron Stop (left or right) with one wood screw $\frac{1}{2}$ in., No. 8	07
225119	10232	Leg (left) End Board with 228022, 228075, one wood screw $\frac{1}{2}$ in., No. 8, 1 $\frac{1}{4}$ in., No. 14, two each $\frac{1}{2}$ in., No. 5 and $\frac{3}{4}$ in., No. 13	60
225167	10232	Leg (right) with 200526c, 225023, two each 225006, 225015 and 225016	3 00
225131	10232	Leg 225167 with 225120	3 60
225120	10232	" (right) End Board with 228022, one wood screw $\frac{1}{2}$ in., No. 8, 1 $\frac{1}{4}$ in., No. 14 and two $\frac{3}{4}$ in., No. 13	55
225015	11403	Leg Roller	07
225016	11403	" " Pin	01
225032	10232	" Stay Rod with two 201507E ..	50
201507E	11402	" " Rod Nut	02
225033	10232	Pitman with two each 200149E and 225020	30
200149E	11403	Pitman Screw	05
225034	11403	" Stud, 1 $\frac{1}{2}$ in. long	07
200383c	11403	" " Set Screw	02
225020	11403	" Washer (felt)	01
228075	11406	Platform Stop Guard	07
225035	10232	Treadle	95
225022	11403	" Center (left)	07
225023	11403	" " (right)	10
200526c	11402	" " " Set Screw	07
225214	-----	Stand complete, Nos. 225024, 225026, 225028, 225029 225032 to 225035, 225128, 225130, 225131, two 225007 and six 200717E	-

CABINET TRIMMINGS

FOR COVER SET

No.	Plate	Name	Each
228017	11405	Center Drawer Lock Hub	\$ 20
28278	-----	“ “ “ Plate (brass)	07
200151E	11404	“ “ Stop Screw (2)	02
228001	11405	Cover Hook with one wood screw 1 in., No. 7	07
228002	11405	Cover Hook Cup Catch	07
228003	11405	“ Cushion (rubber) with one 8 oz. tack, R.H.B.	02
228004	11406	Cover Lock (rim) with two wood screws $\frac{1}{2}$ in., No. 3	25
228005	11406	Cover Lock Catch with two wood screws $\frac{3}{8}$ in., No. 3	07
28233	-----	Cover Lock Key (steel)	07
228006	11404	“ “ “ Escutcheon	02
228008	11406	Drop Leaf Hinge with six wood screws $\frac{3}{8}$ in., No. 7	20
228009	10214	Drop Leaf Support (sliding bolt) ..	20
25152	-----	Machine Cushion (felt) (4)	01
200850B	11405	“ Hinge Bolt	25
201513E	11405	“ “ “ Nut	05
225004	11402	“ “ “ Washer	01
228011	11405	“ “ “ Connection	10
228012	11405	“ “ “ Pin	01
228013	11405	“ “ “ Washer (felt)	01
228014	11405	Machine Hinge complete, Nos. 200850B, 201513E, 225004 and 228011 to 228013 (2)	40
228015	11406	Machine Latch with one wood screw $\frac{3}{8}$ in., No. 12 R.H.	20
228016	11405	Machine Latch Clamp	20
28216	11404	Partition Lock (revolving bolt, double)	07
28217	11404	Partition Lock (revolving bolt, single)	07
28233	-----	Partition Lock Key (steel)	07
28076	11404	“ “ “ Escutcheon (brass)	02
28221	11404	Side Drawer Knob (oxidized)	25
1272E	11404	“ “ “ Screw	07
28222	11404	“ “ “ “ Washer ..	01
28223	-----	Side Drawer Knob complete, Nos. 1272E, 28221 and 28222	30
25047	11405	Side Drawer Spring	02

FOR CABINET TABLE

No.	Plate	Name	Each
15511	-----	Apron Spring (2)	\$ 07
228017	11405	Center Drawer Lock Hub	20
28278	-----	“ “ “ Plate (brass)	07
200151E	11404	“ “ Stop Screw (2)	02
28234	11406	Hinge (oxidized), round end, for top leaf (2)	25
25152	-----	Machine Cushion (felt) (4)	01
200850B	11405	“ Hinge Bolt	25
201513E	11405	“ “ “ Nut	05
225004	11402	“ “ “ Washer	01
228011	11405	“ “ “ Connection	10
228012	11405	“ “ “ Pin	01
228013	11405	“ “ “ Washer (felt)	01
228014	11405	Machine Hinge complete, Nos. 200850B, 201513E, 225004 and 228011 to 228013 (2)	40
228015	11406	Machine Latch with one wood screw $\frac{3}{8}$ in., No. 12, R.H.	20
228016	11405	Machine Latch Clamp	20
28216	11404	Partition Lock (revolving bolt, double)	07
28217	11404	Partition Lock (revolving bolt, single)	07
28233	-----	Partition Lock Key (steel)	07
28076	11404	“ “ “ Escutcheon (brass)	02
228028	11404	Platform Hinge Pin Bushing (left or right) (2)	07
228029	11404	Platform Hinge Pin (left)	10
228030	11404	“ “ “ Plate (left or right) (2)	20
228031	11404	Platform Hinge Pin (right)	07
228032	11405	“ “ “ “ Washer (thick)	01
207952	11405	Platform Hinge Pin (right) Washer (thin)	01
228023	11404	Platform Rest Hinge Pin (left), for front lid	06
228024	11404	Platform Rest Hinge Pin Plate (left or right)	10
228025	11404	Platform Rest Hinge Pin (right), for front lid	05
228026	11405	Platform Rest Hinge Pin (right) Washer, for front lid	01
228033	11406	Platform Stop	25
228034	11406	“ “ Plate	20
25047	11405	Side Drawer Spring	02

Cabinet Trimmings

No.	Plate	Name	Each
205928	11406	Skeleton Drawer Case Support (long), for Table 34 in. long	\$ 07
200151E	11404	Skeleton Drawer Case Support Screw	02

FOR OPEN SIDE DRAWING ROOM CABINET

225024	10232	Band Wheel, 12 in. diam., with 200383c and 200524c	1 80
225036	11407	Band Wheel Bracket and Dress Guard with two 225006	1 80
225041	11403	Band Wheel Bracket and Dress Guard Washer (felt)	01
226178	---	Band Wheel Bracket and Dress Guard complete, Nos. 225024, 225026, 225036, 225164, two 225007, three 225041 and three wood screws 1 in., No. 13	4 90
225002	11402	Band Wheel Brake (wood) with 225166	05
226181	---	Band Wheel Brake 225002 with 200715E and 225004	10
200715E	11402	Band Wheel Brake Bolt with 201551E	05
201551E	11402	Band Wheel Brake Bolt Nut	02
225004	11402	" " " " Washer	01
*225166	---	" " " Cushion (rub- ber)	---
200524c	11402	Band Wheel Set Screw	10
225026	11401	" " Shaft with 200073E and two 225008	60
25362	11403	Band Wheel Shaft Ball, $\frac{3}{8}$ in. diameter	02
225006	11403	Band Wheel Shaft Ball Bearing Cup	20
225007	11403	Band Wheel Shaft Ball Retainer with nine 25362	35
225008	11402	Band Wheel Shaft Cone	20
200073E	11403	" " " " Adjusting Screw	10
225127	---	Belt, size $\frac{3}{8}$ in. diam., length 68 $\frac{1}{2}$ in., with 225129	30
225129	11403	Belt Hook	01

Cabinet Trimmings

No.	Plate	Name	Each
228128	11406	Cabinet Case Roller	\$ 06
228129	11406	" " " Frame	20
228130	11406	" " " Pin	01
228131	11406	Cabinet Case Roller complete, Nos. 228128 to 228130 and two wood screws $\frac{3}{8}$ in., No. 10 (4)	25
228045	11406	Door Hinge	30
228036	11406	" Lock	25
228037	11406	" " Key	07
228038	11406	" " " Plate	07
28278	---	" Drawer Lock Plate (brass)	07
28280	---	" " " " Hub Key (brass)	25
28028	11406	Hinge (nickel), round end, for top leaf (2)	25
25152	---	Machine Cushion (felt) (4)	01
200850B	11405	" Hinge Bolt	25
201513E	11405	" " " Nut	05
225004	11402	" " " Washer	01
228011	11405	" " Connection	10
228012	11405	" " " Pin	01
228013	11405	" " " Washer (felt)	01
228014	11405	Machine Hinge complete, Nos. 200850B, 201513E, 225004 and 228011 to 228013 (2)	40
228015	11406	Machine Latch with one wood screw $\frac{3}{8}$ in., No. 12, R.H.	20
228016	11405	Machine Latch Clamp	20
225039	11407	Pitman with two each 200149E and 225020	30
200149E	11403	Pitman Screw	05
225164	11403	" Stud, 1 $\frac{1}{2}$ in. long	07
200383c	11403	" " Set Screw	02
225020	11403	" Washer (felt)	01
228028	11404	Platform Hinge Pin Bushing (left or right) (2)	07
228029	11404	Platform Hinge Pin (left)	10
228030	11404	" " " Plate (left or right)	20
228031	11404	Platform Hinge Pin (right)	07
228032	11405	" " " " Washer (thick)	01
207952	11405	Platform Hinge Pin (right) Washer (thin)	01
228023	11404	Platform Rest Hinge Pin (left)	06
228024	11404	" " " " Plate (left or right) (2)	10
228025	11404	Platform Rest Hinge Pin (right)	05
228026	11405	" " " " Washer	01

No.	Plate	Name	Each
228039	11406	Platform Stop	\$ 20
25070	11405	Rubber Tack	01
28290	----	Top Leaf Support Cushion (rub- ber)	02
228032	11405	Top Leaf Support Lever Washer	01
225040	10232	Treadle	95
226179	----	" 225040 with 225037 and four wood screws $\frac{3}{4}$ in., No. 13	1 85
225023	11403	Treadle Center (right)	10
200526c	11402	" " (right) Set Screw..	07
225037	11407	" Center Stand with two each 200526c, 225023 and four wood screws $\frac{3}{4}$ in., No. 13	30
226180	----	Treadle and Band Wheel Bracket complete, Nos. 226178, 226179 and 226181	6 95

OBSOLETE PARTS

202020	----	Bed Slide (front) Spring	07
205956	11417	Bobbin Case Stop Finger	35
205957	11417	" " " " Base with 200962c and 202090	30
205958	11417	Bobbin Case Stop Finger Spring..	07
205959	11417	Bobbin Case Stop Finger complete, Nos. 200076c, 200132c, 200961c, 201531c, 205956 to 206958 and 208731	95
225510	10218	Bobbin Case Screw Driver	07
202212	10722	Throat Plate with 202131, for needle sizes 10 to 16	60
202238	10722	Throat Plate, 46 needle hole, for needle sizes 16 and 18, with 202131	60

OBSOLETE ATTACHMENTS

225518	10223	Bias Binder Folder	25
225519	10223	" " Foot	50
225520	----	Bias Binder complete, Nos. 200140n, 225518 and 225519	80

No.	Plate	Name	Each
225511	10219	Hemmer (adjustable) Edge Guide	\$ 07
225512	10219	" " Folder	10
225513	10219	" " Foot with 225512	90
225514	10219	" " Guide (lower) with 225515 and 225516	25
225515	10219	Hemmer (adjustable) Guide (upper)	10
225516	10219	" " " Rivet..	01
225517	----	Hemmer (adjustable) complete, Nos. 200478c, 225511, 225513 and 225514	1 50
225604	-	Ruffler Adjusting Thumb Screw Washer	02
225526	10220	Ruffler Foot	65
225527	10221	" Guide with 225528 and two 225529	35
225528	10221	Ruffler Guide Blade	05
225529	10221	" " " Rivet	01
225530	10221	" Lever with 225531 and 225532	35
*225531	----	" " Bushing	--
225532	10221	" " Washer	02
225533	10220	" Link	10
225534	10220	" " Stud	20
231103	10220	" Ruffling Slide	10
225535	----	" " " 231103 with 225536 and two 200179n	25
225536	10220	Ruffler Ruffling Slide Blade	07
225537	10221	" Shirring Plate with 225538 and two 225552	20
225538	10221	Ruffler Shirring Plate Blade	05
225552	10221	" " Blade Plate Rivet..	01
225539	----	Ruffler complete, Nos. 200160n, 200241n, 200287n, 200294n, 200295n, 200316n, 200466n, 201532n, 201566n, 201576c, 225526, 225527, 225530, 225533 to 225535, 225537 and 225604	1 85
225558	----	Screw Driver (machine)	20
225541	10222	Tucker Foot with 200843c and 200844c	60
225542	10222	Tucker Frame	25
225543	10222	" Tuck Guard	10
225544	10222	" " Guide	20
225545	10222	" " Lever (lower)	20
225546	10222	" " " (upper) with 225548	20
225547	10222	" " " Spring	05
225548	10222	" " " Stop Pin	01
225549	10222	" " Marker	20

Obsolete Parts

No.	Plate	Name	Each
225550	—	Tucker complete, Nos. 200288H, 200595H, 201536H, 225541 to 225547, 225549, two each 200175H and 201562B	\$1 50

OBSOLETE TRIMMINGS FOR COVER SET

228018	—	Partition Lock (hub) (short), for center drawer	20
228019	11405	Partition Lock Plate (double)	07

OBSOLETE TRIMMINGS FOR CABINET TABLE

228077	11417	Platform Hinge Plate (left) (fe- male) with two wood screws $\frac{3}{4}$ in., No. 7	07
228078	11417	Platform Hinge Plate (left) (male) with two wood screws $\frac{3}{4}$ in. No. 7	10
228079	11417	Platform Hinge Plate (right) (fe- male) with two wood screws $\frac{3}{4}$ in., No. 7	07
228080	11417	Platform Hinge Plate (right) (male) with two wood screws $\frac{3}{4}$ in. No. 7	10
228035	11406	Skeleton Drawer Case Support (short)	07

PLATE 10202--ONE-HALF SIZE

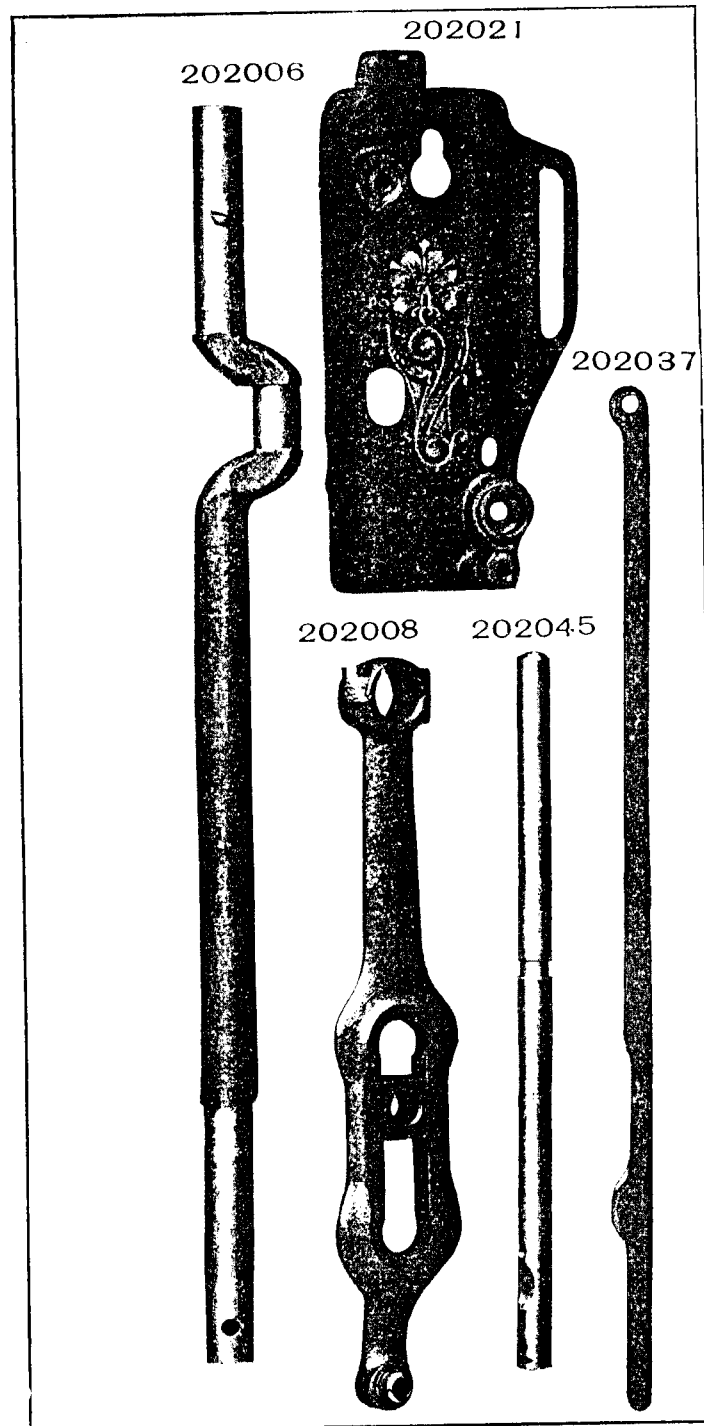


PLATE 10204—FULL SIZE

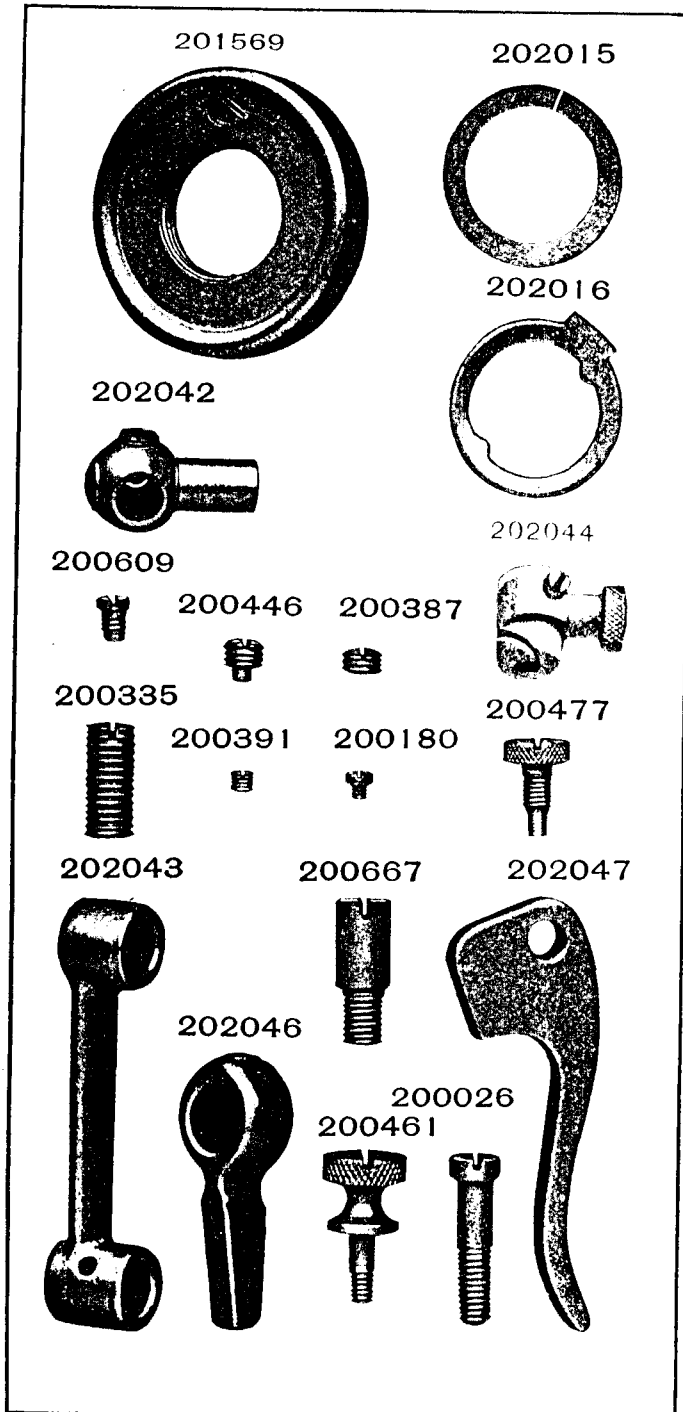


PLATE 10205—FULL SIZE

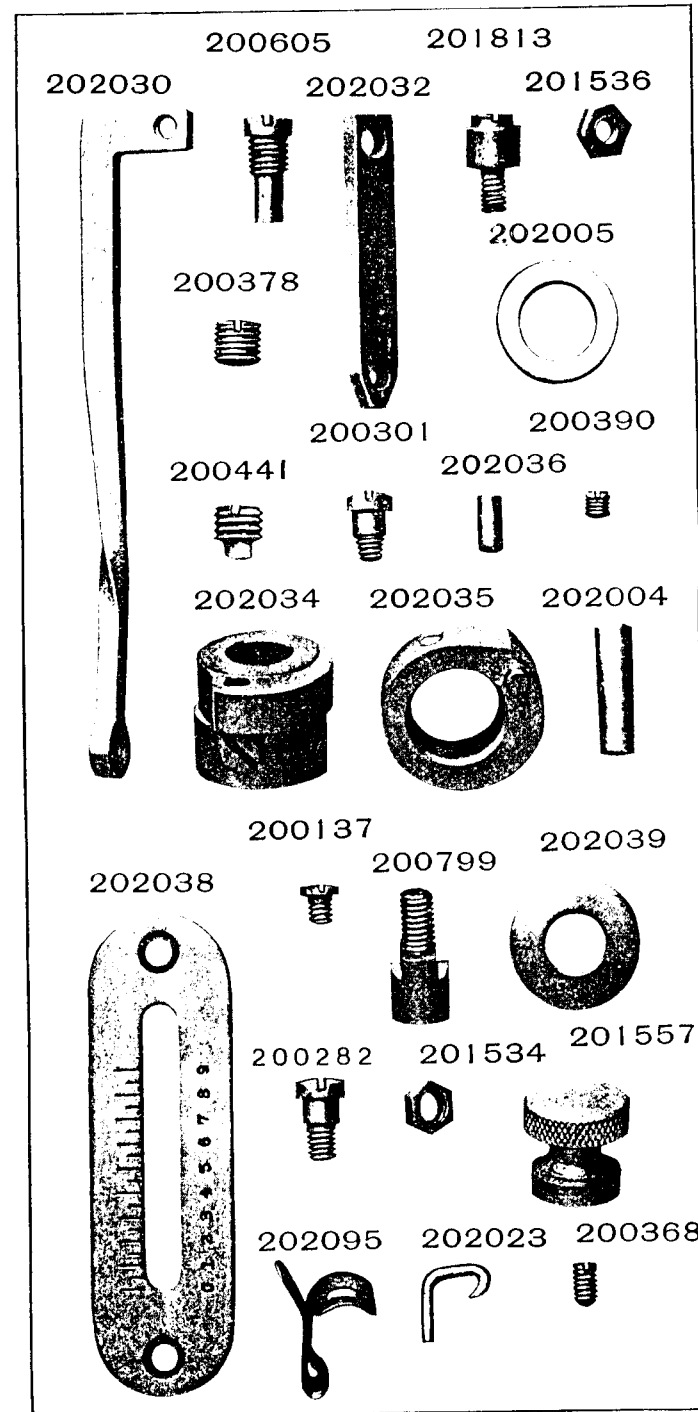


PLATE 10206—FULL SIZE

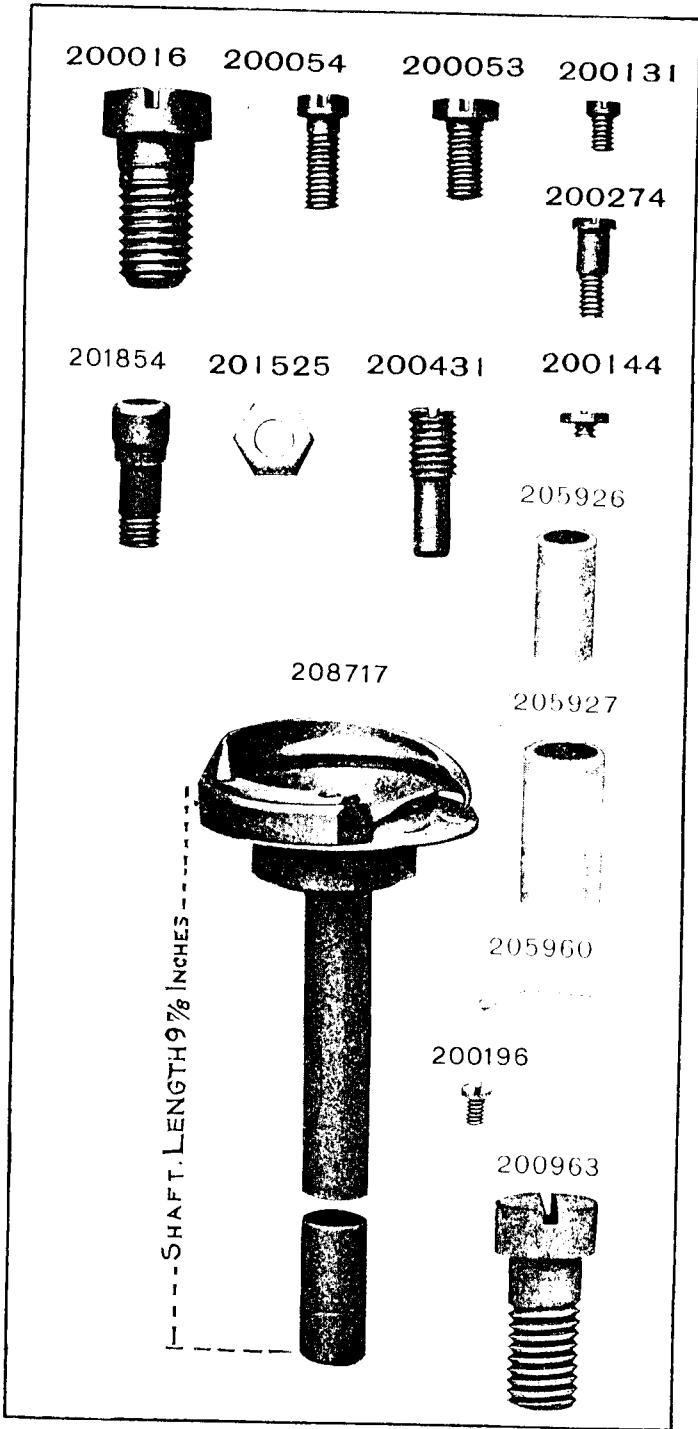


PLATE 10207—FULL SIZE

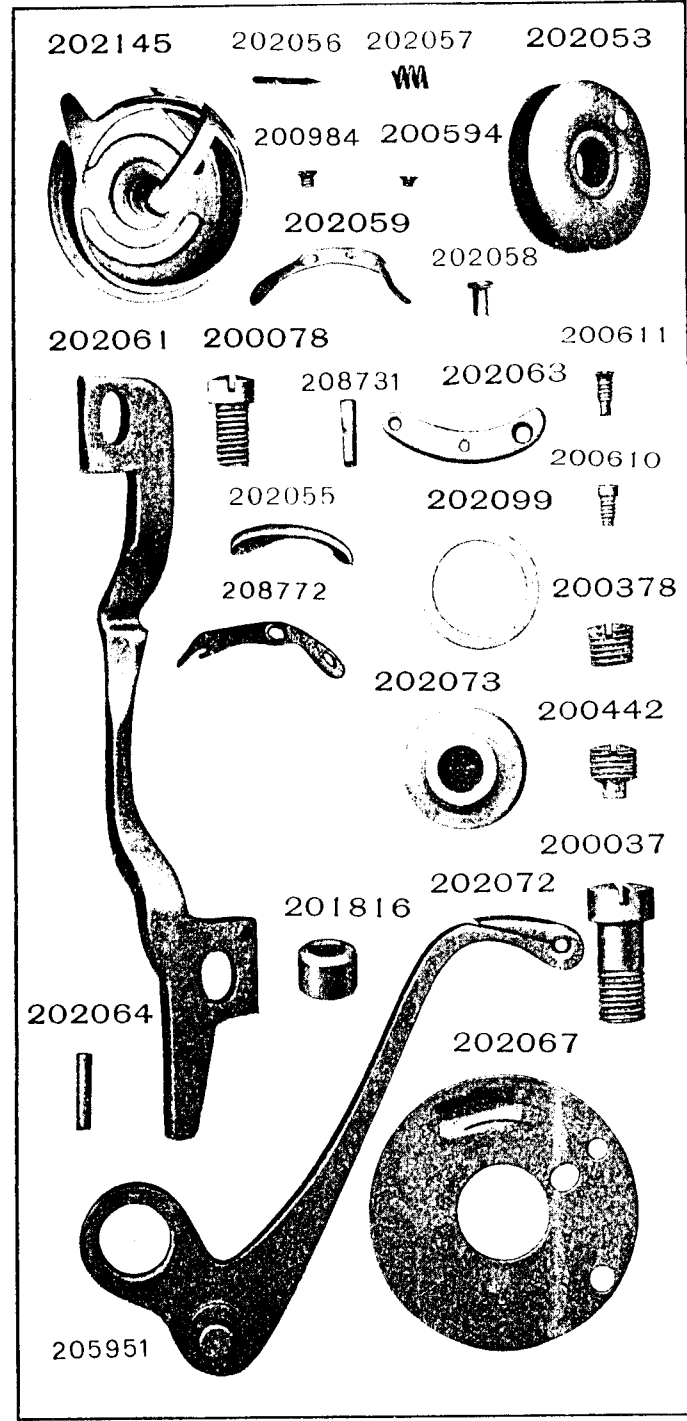


PLATE 10209—FULL SIZE

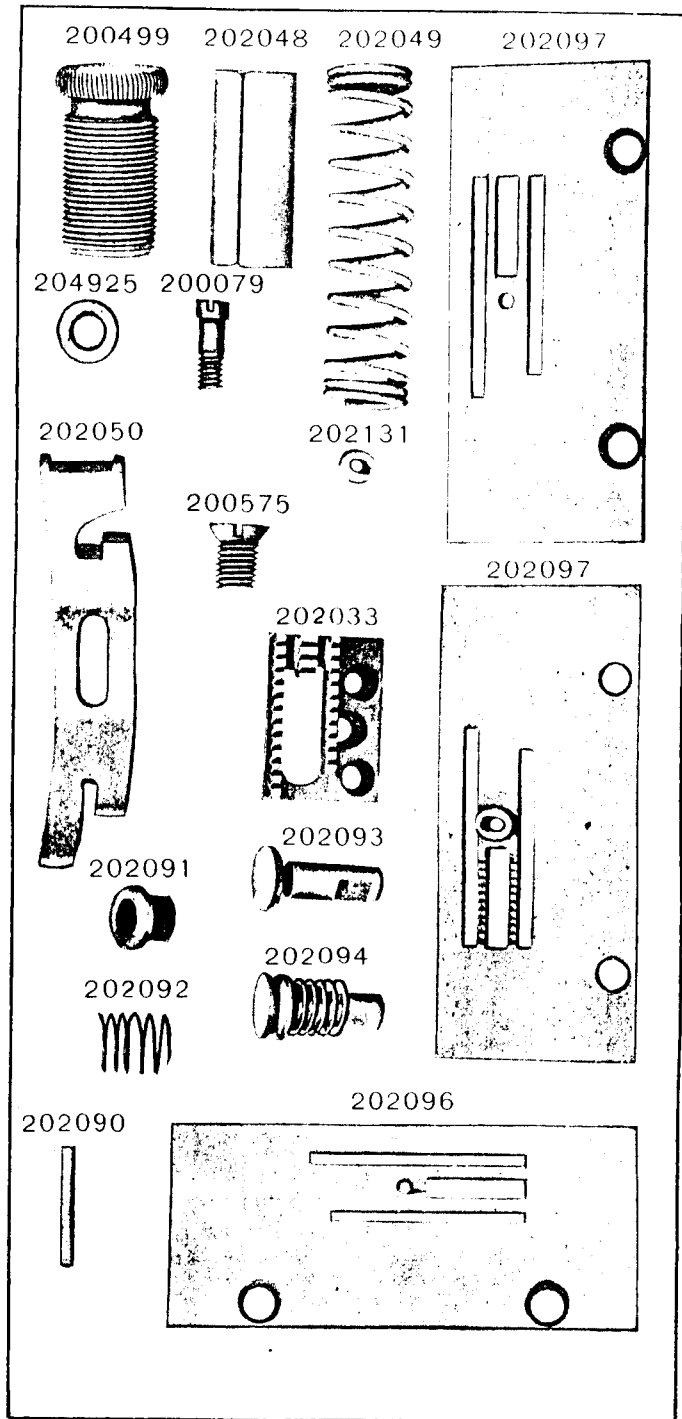


PLATE 10213—FULL SIZE

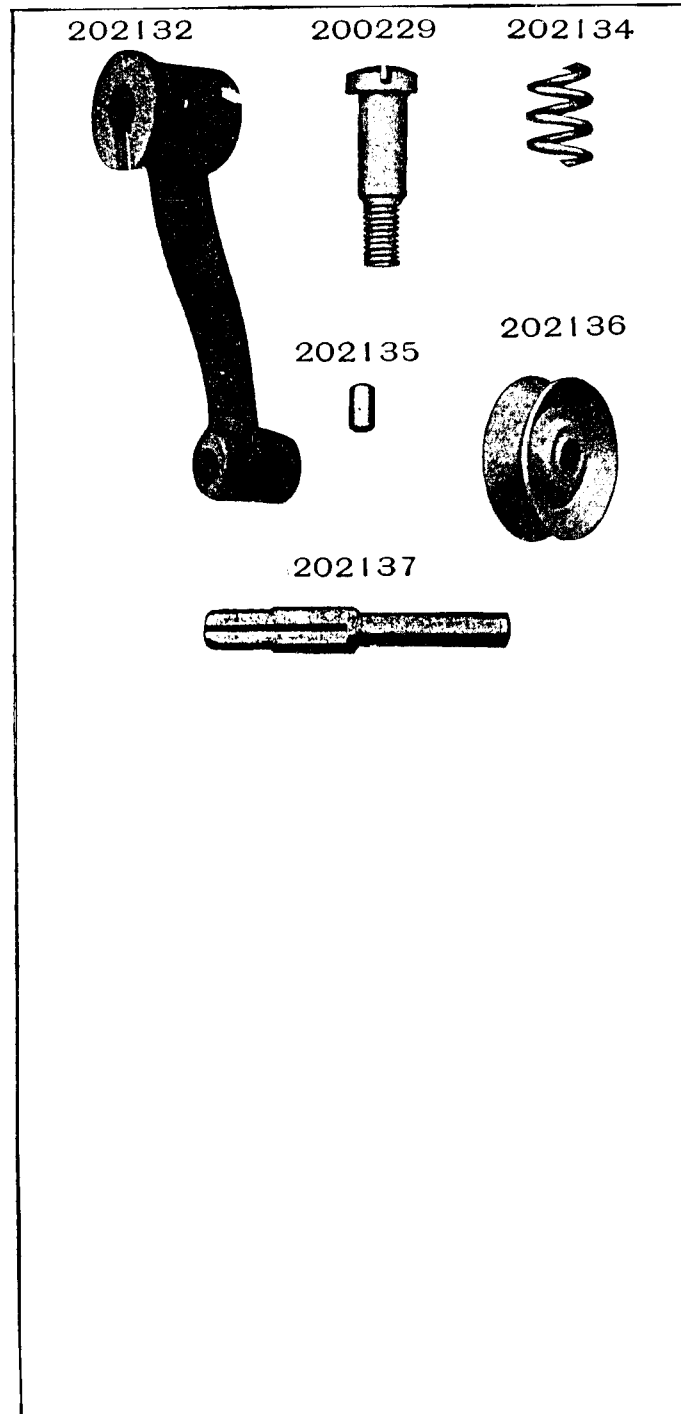


PLATE 10214—ONE NINTH SIZE

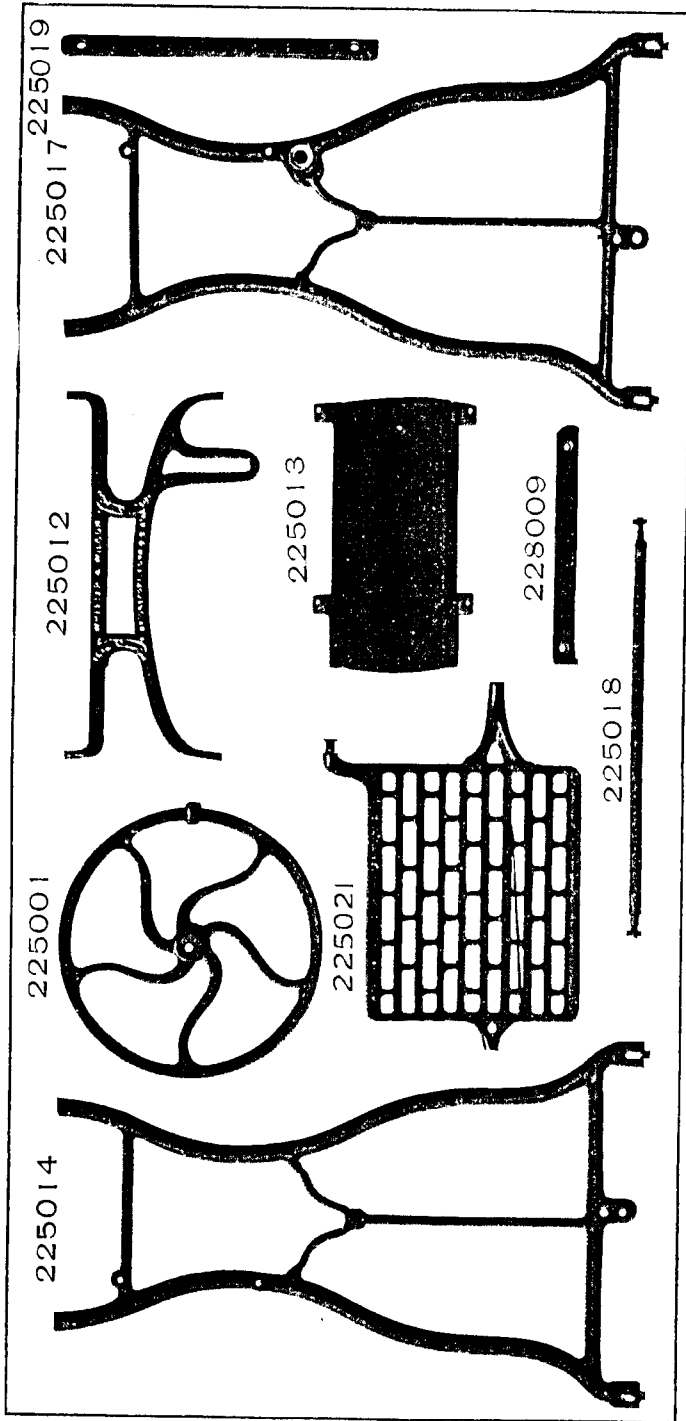


PLATE 10218—FULL SIZE

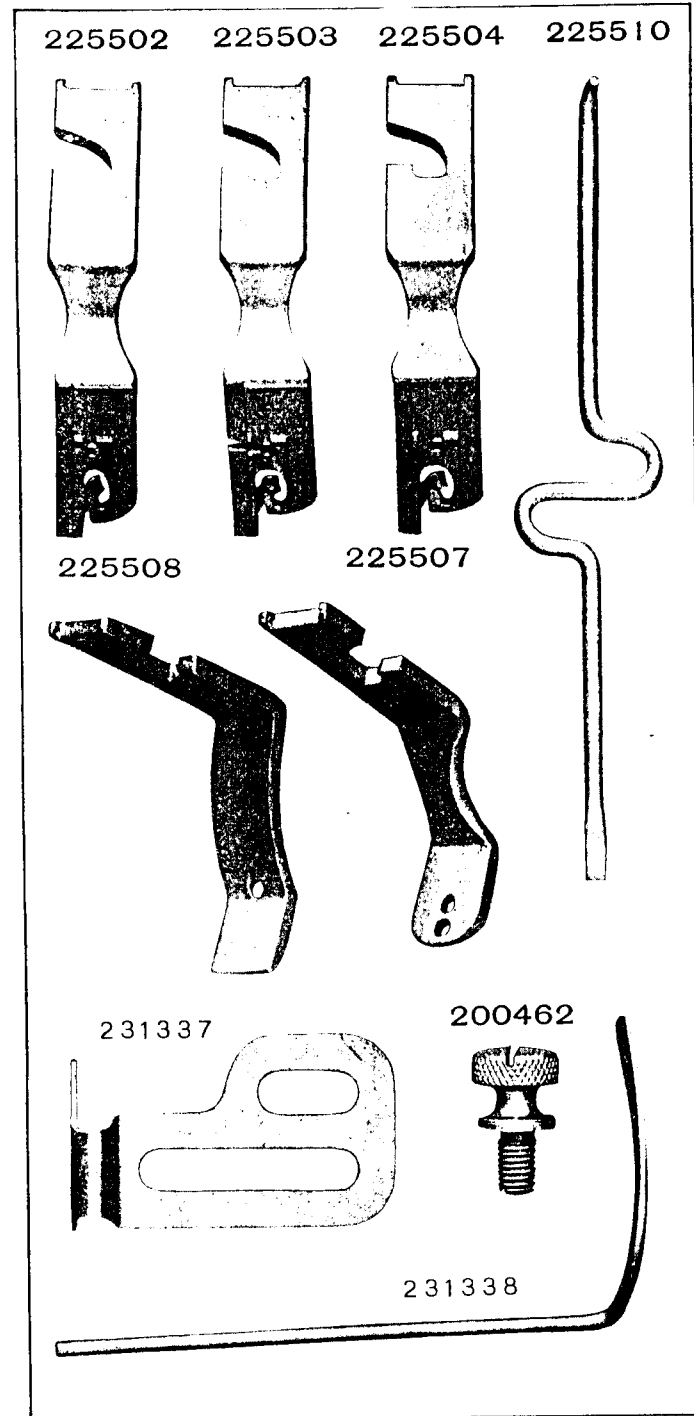


PLATE 10219—FULL SIZE

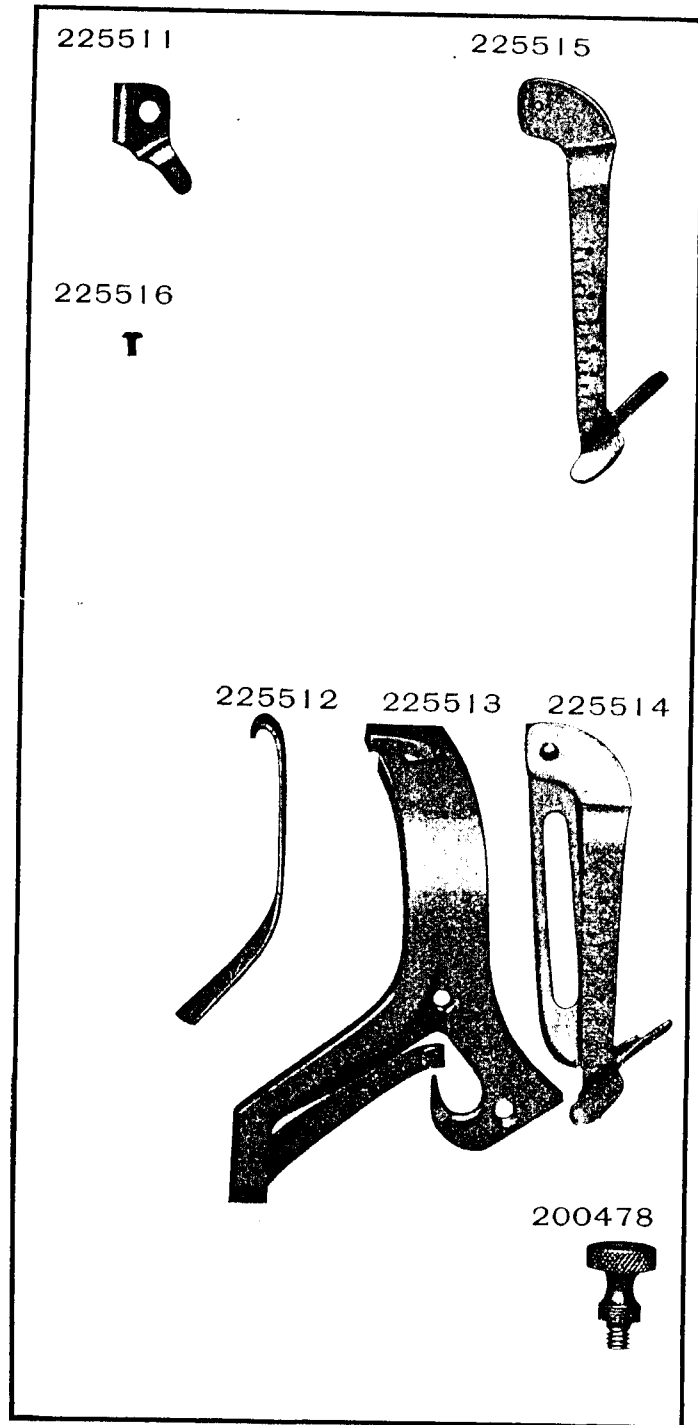


PLATE 10220—FULL SIZE

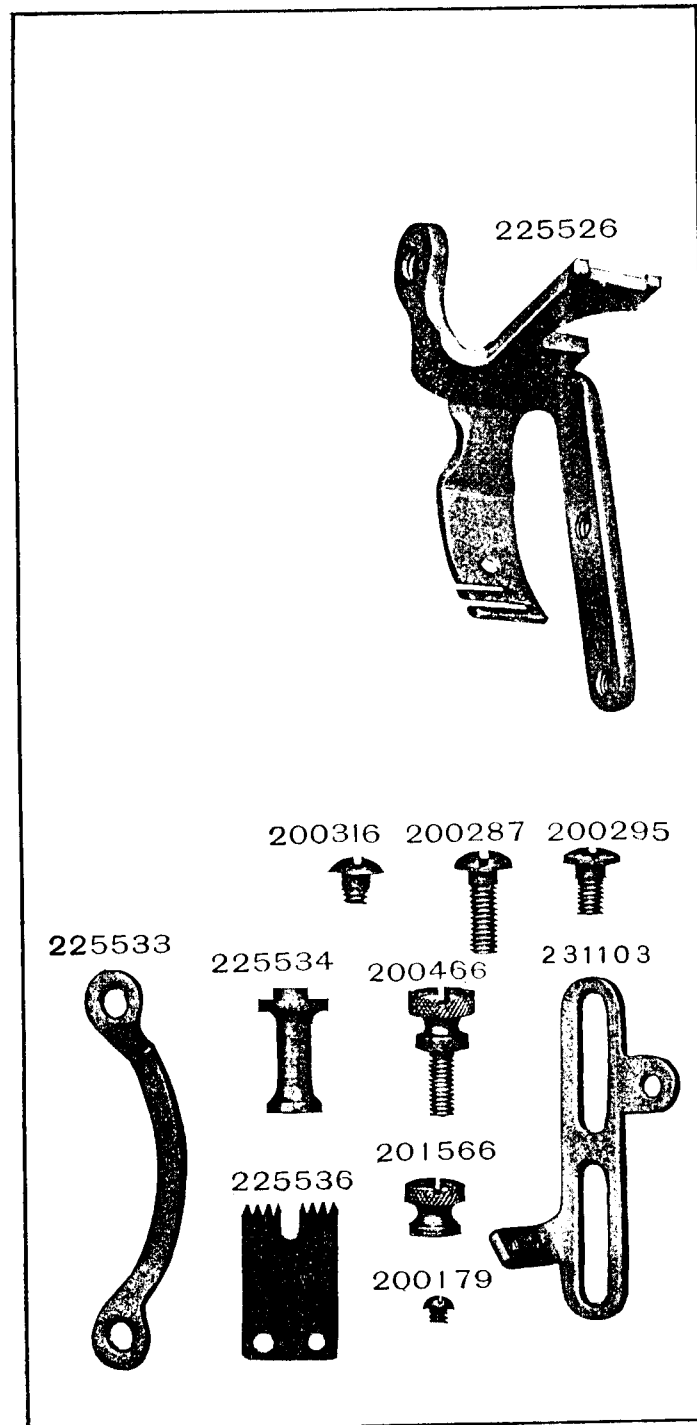


PLATE 10221—FULL SIZE

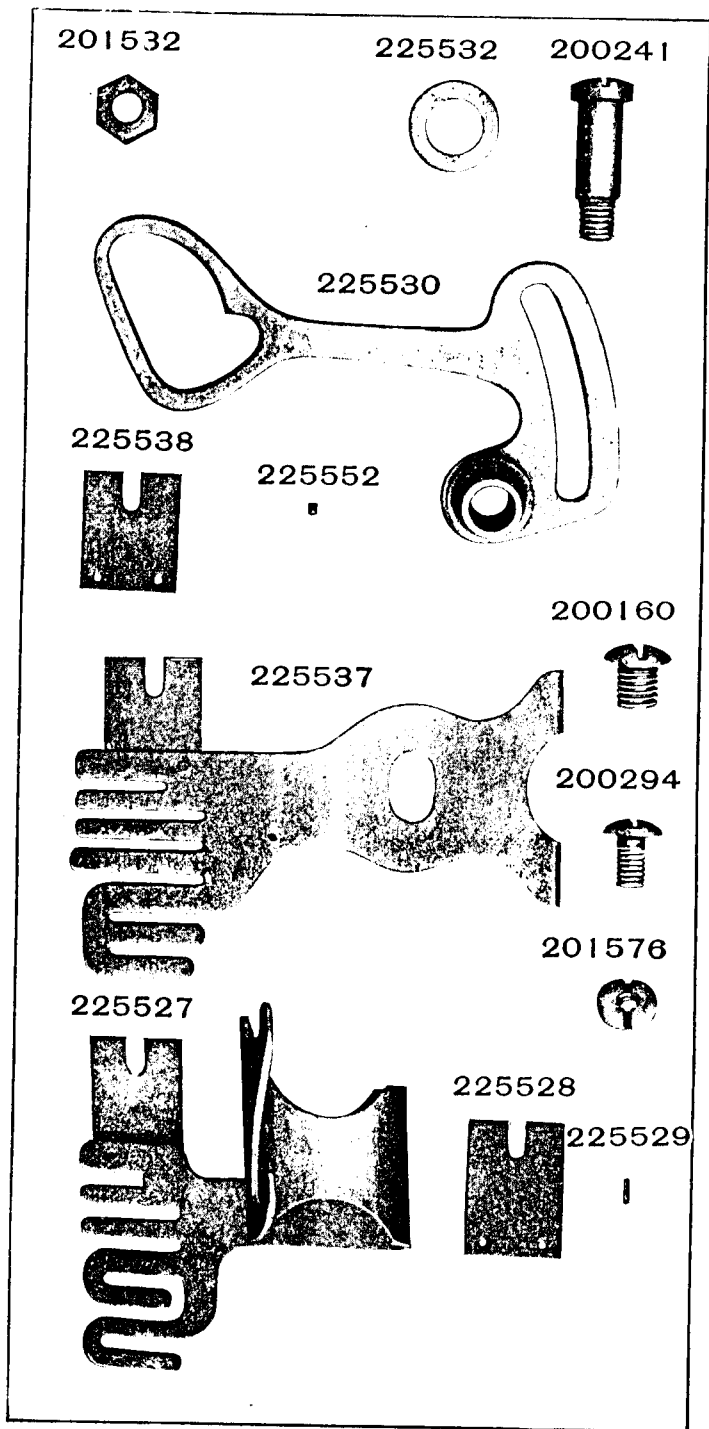


PLATE 10222—FULL SIZE

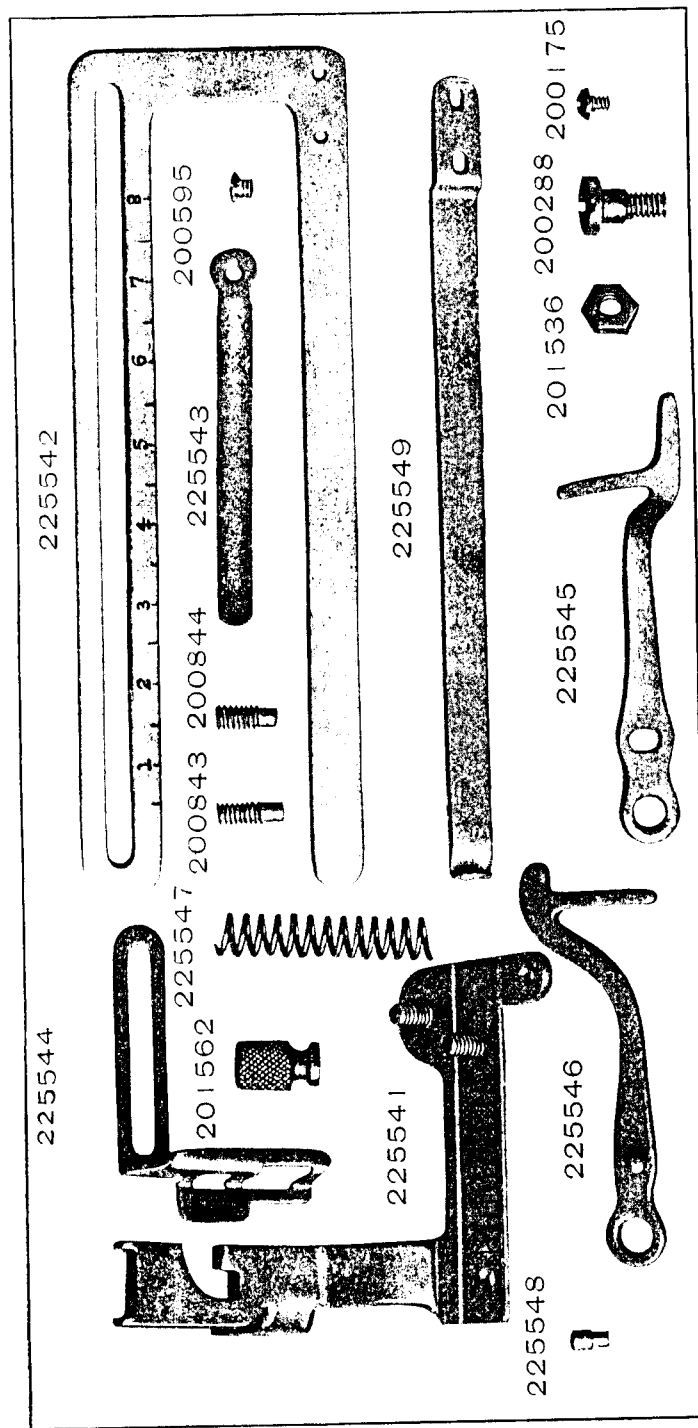


PLATE 10223—FULL SIZE

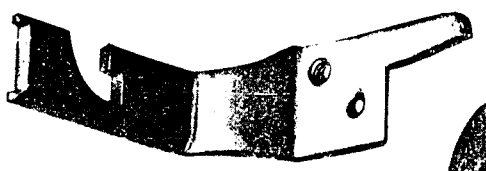
200140



225518



225519



225555

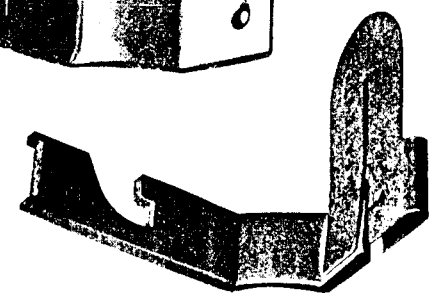
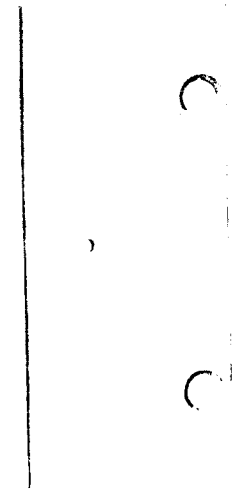


PLATE 10225—FULL SIZE

207203
207437



226029



PLATE 10232—ONE NINTH SIZE

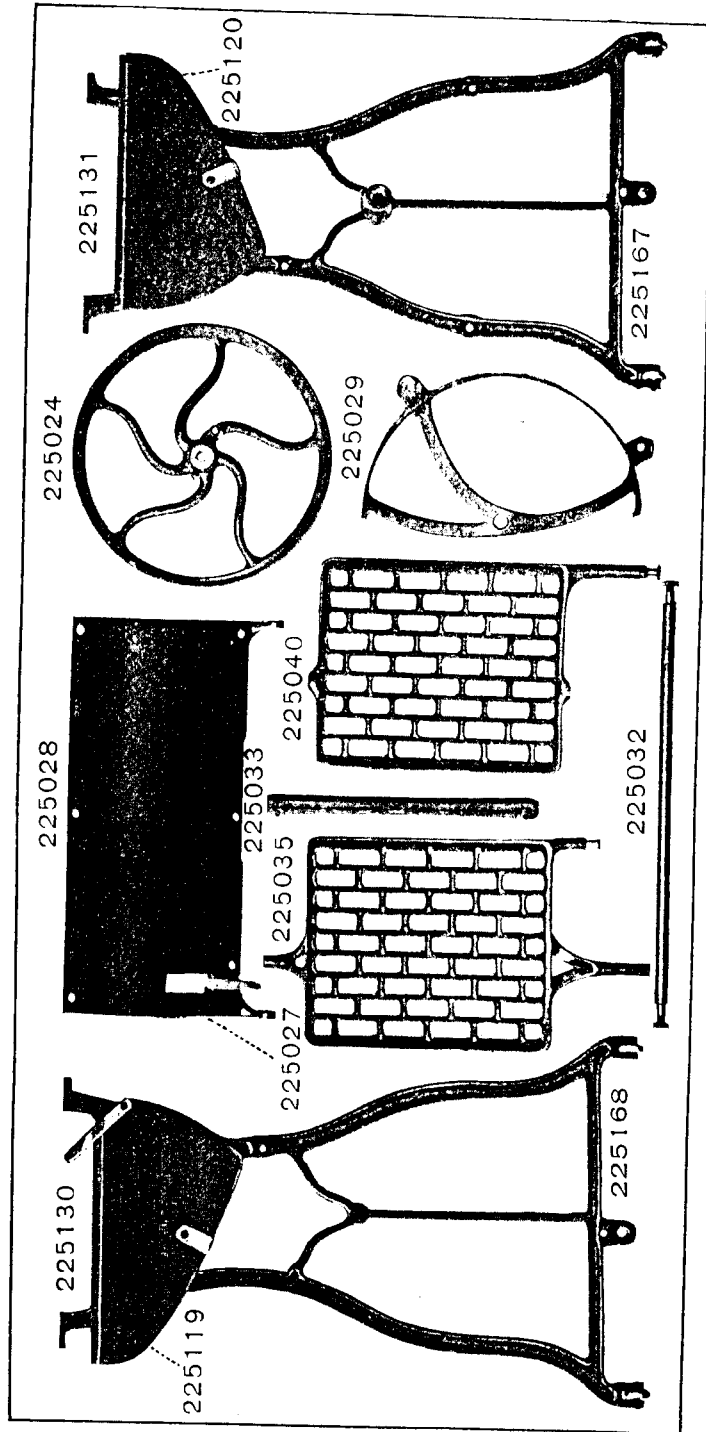


PLATE 10722—FULL SIZE

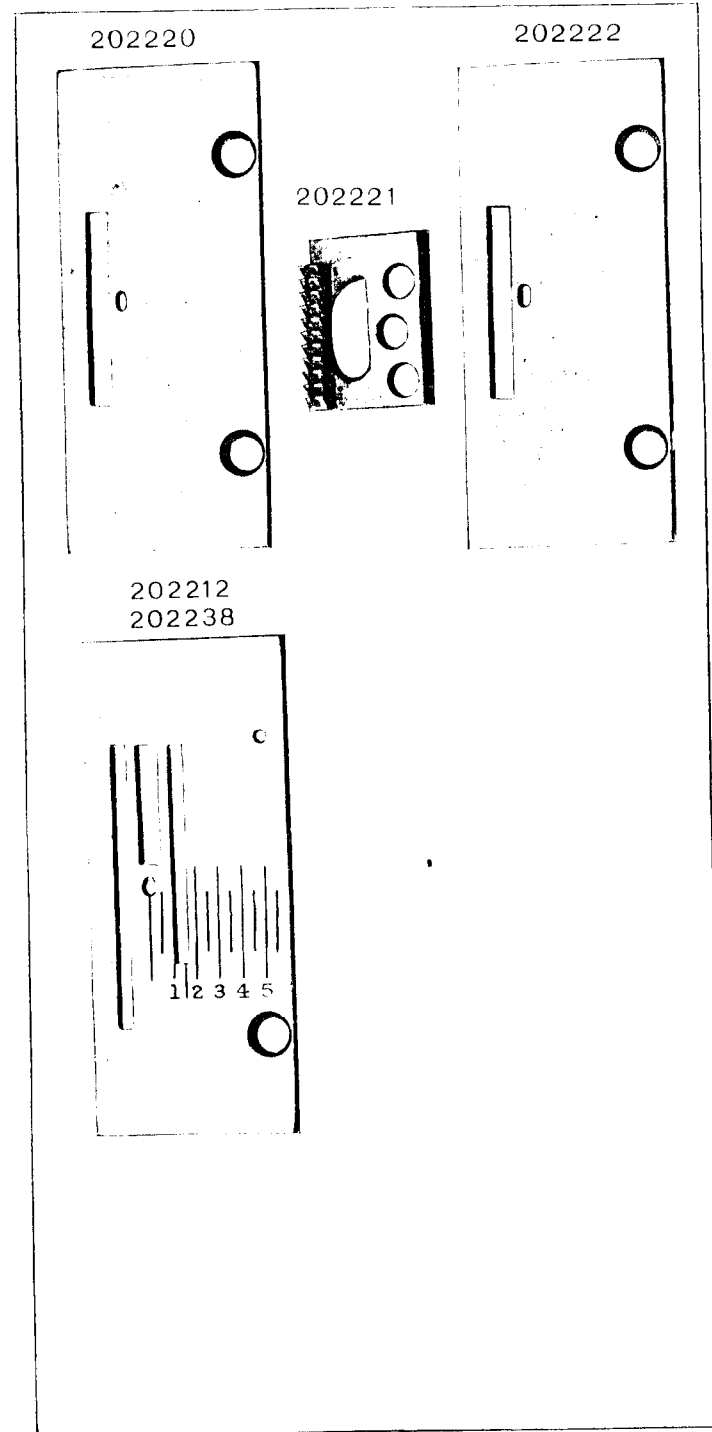


PLATE 10723—FULL SIZE

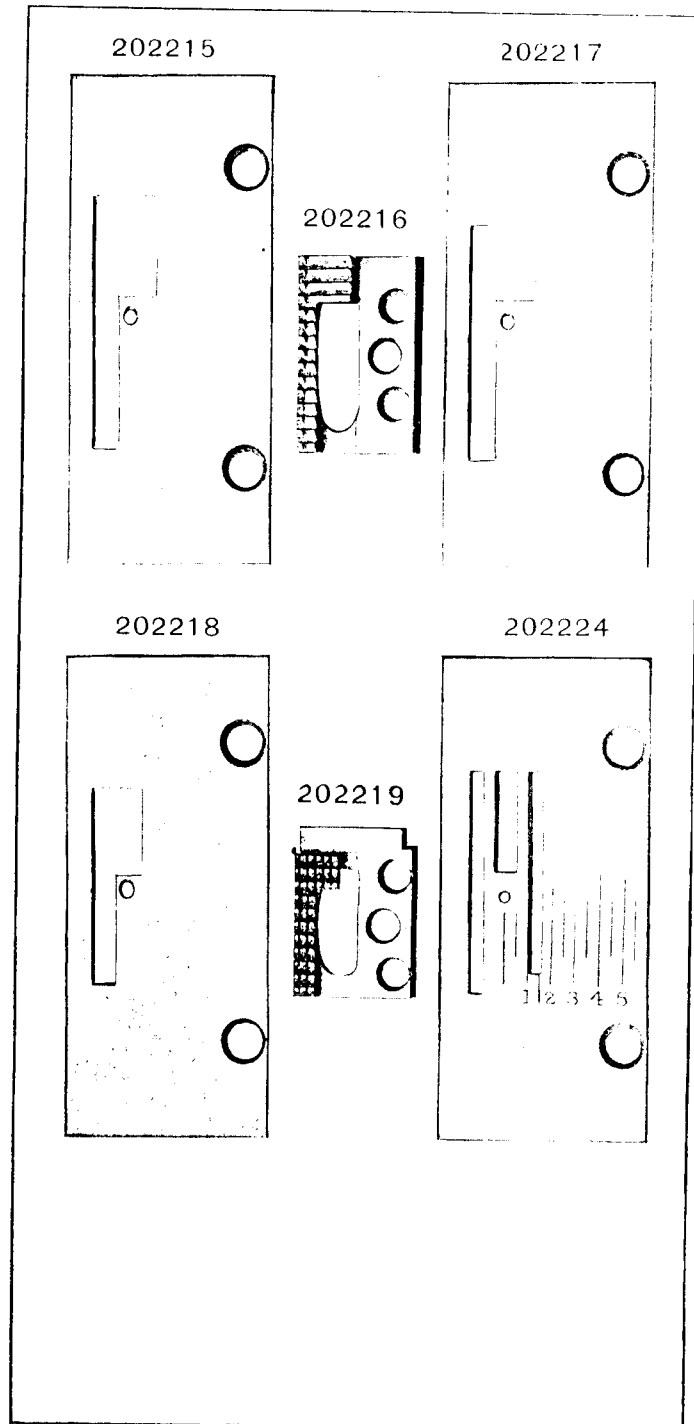


PLATE 11392—ONE HALF SIZE

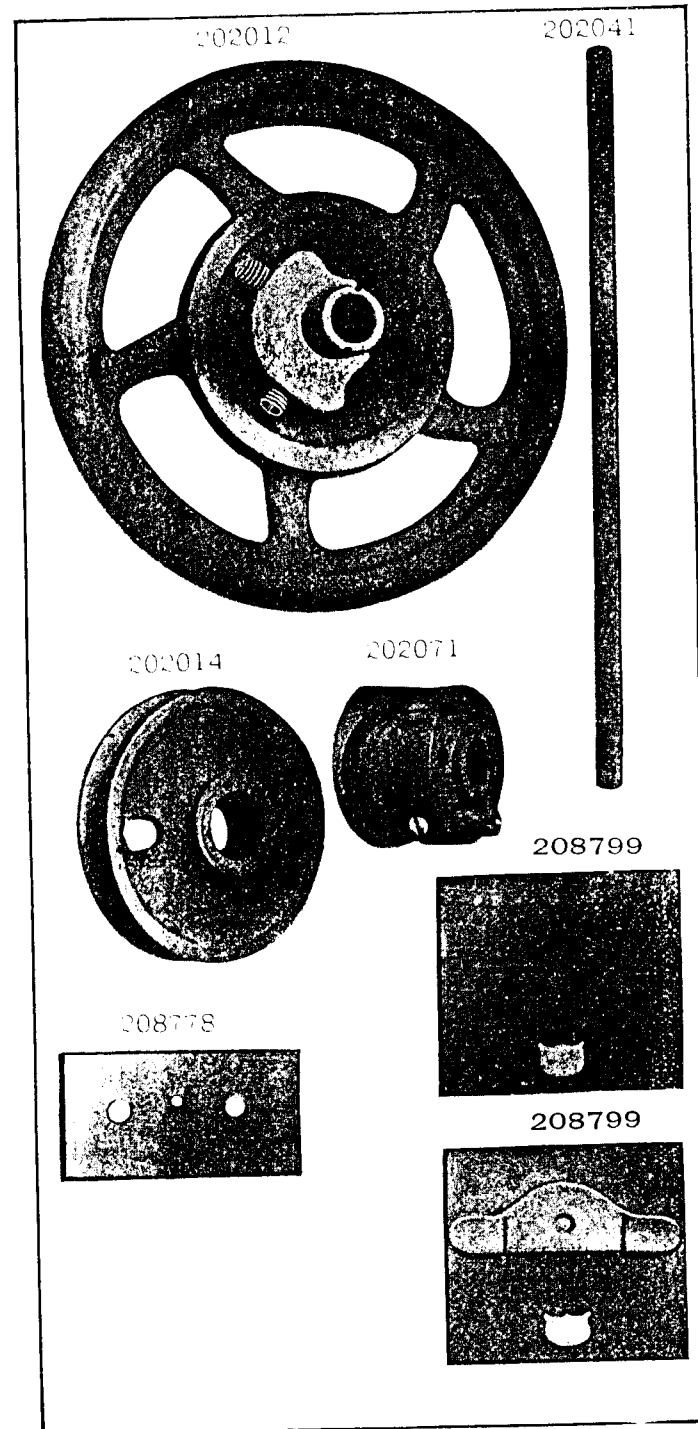


PLATE 11393—FULL SIZE

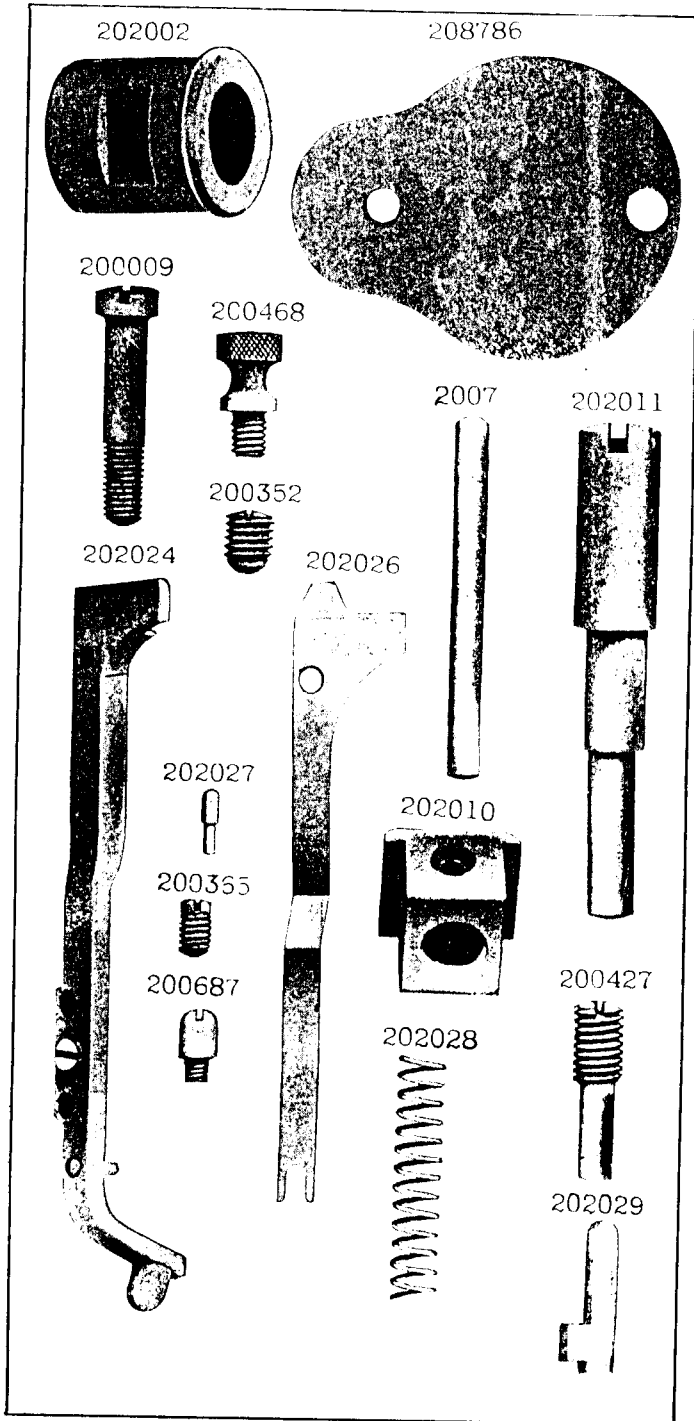


PLATE 11394—FULL SIZE

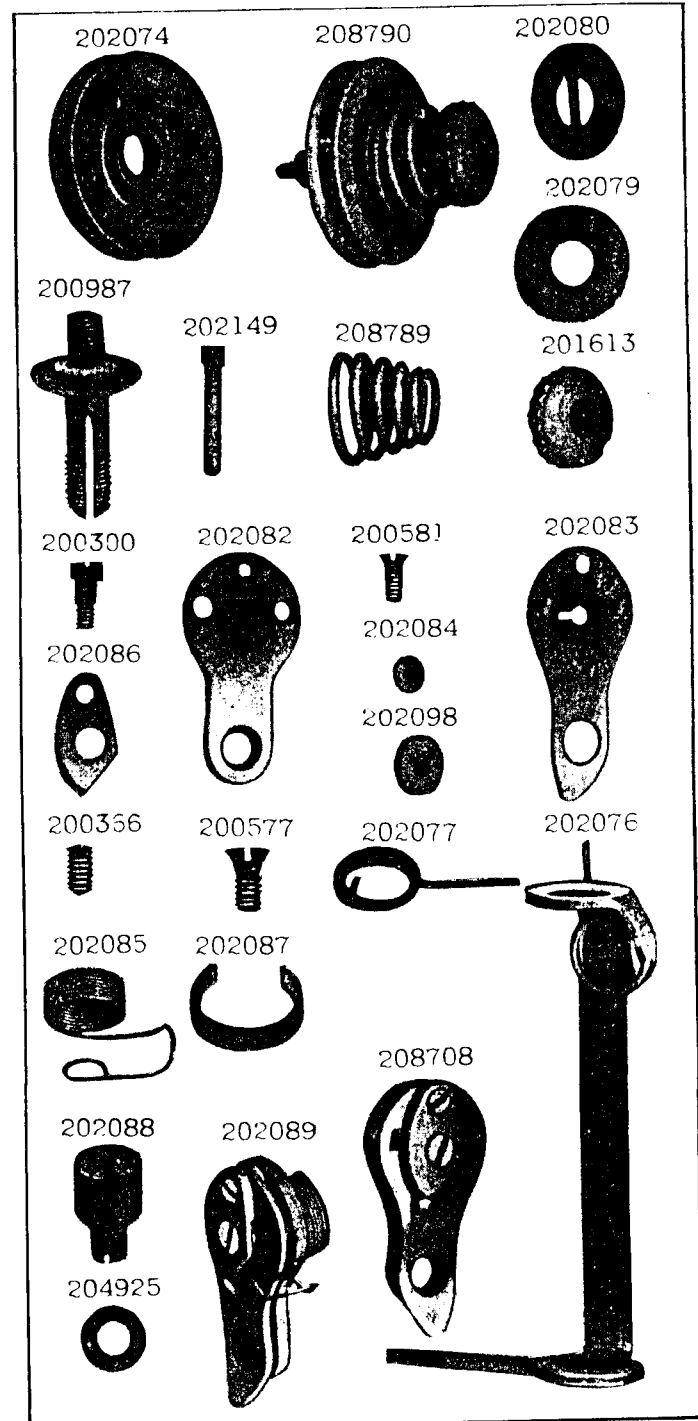


PLATE 11396—FULL SIZE

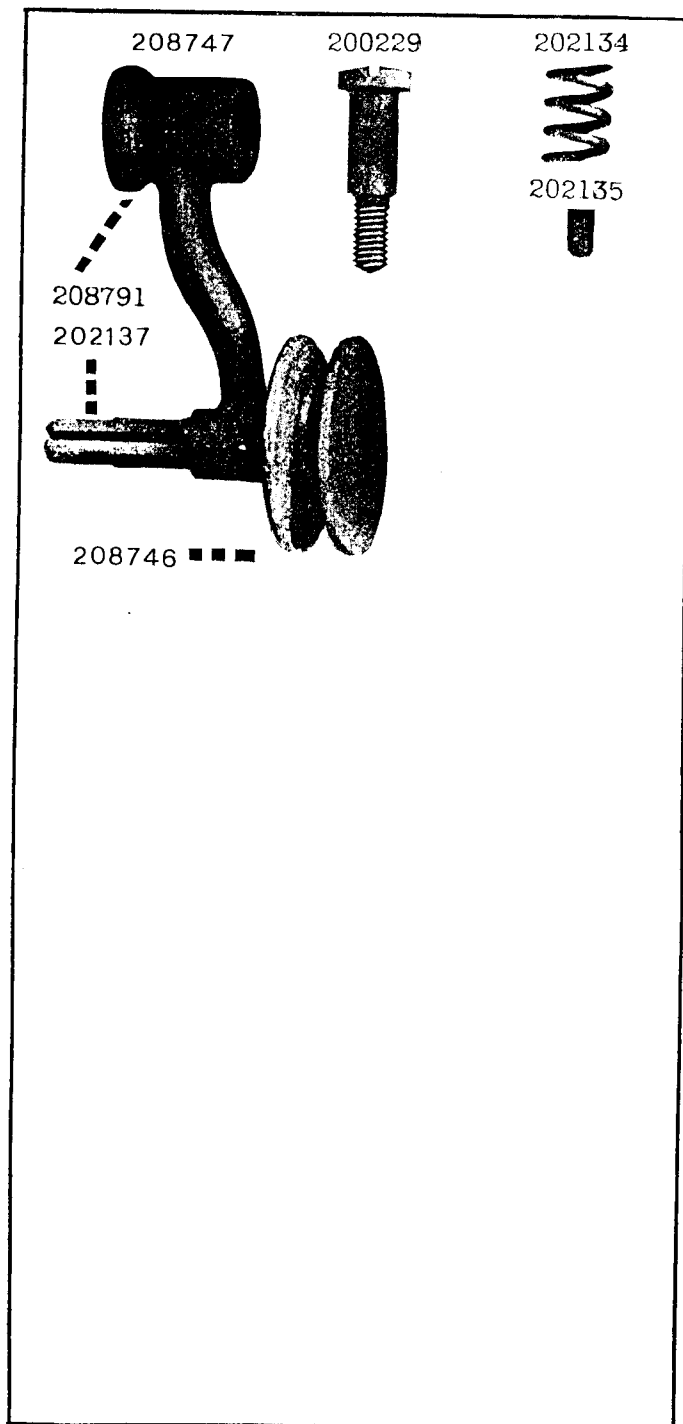


PLATE 11397—FULL SIZE

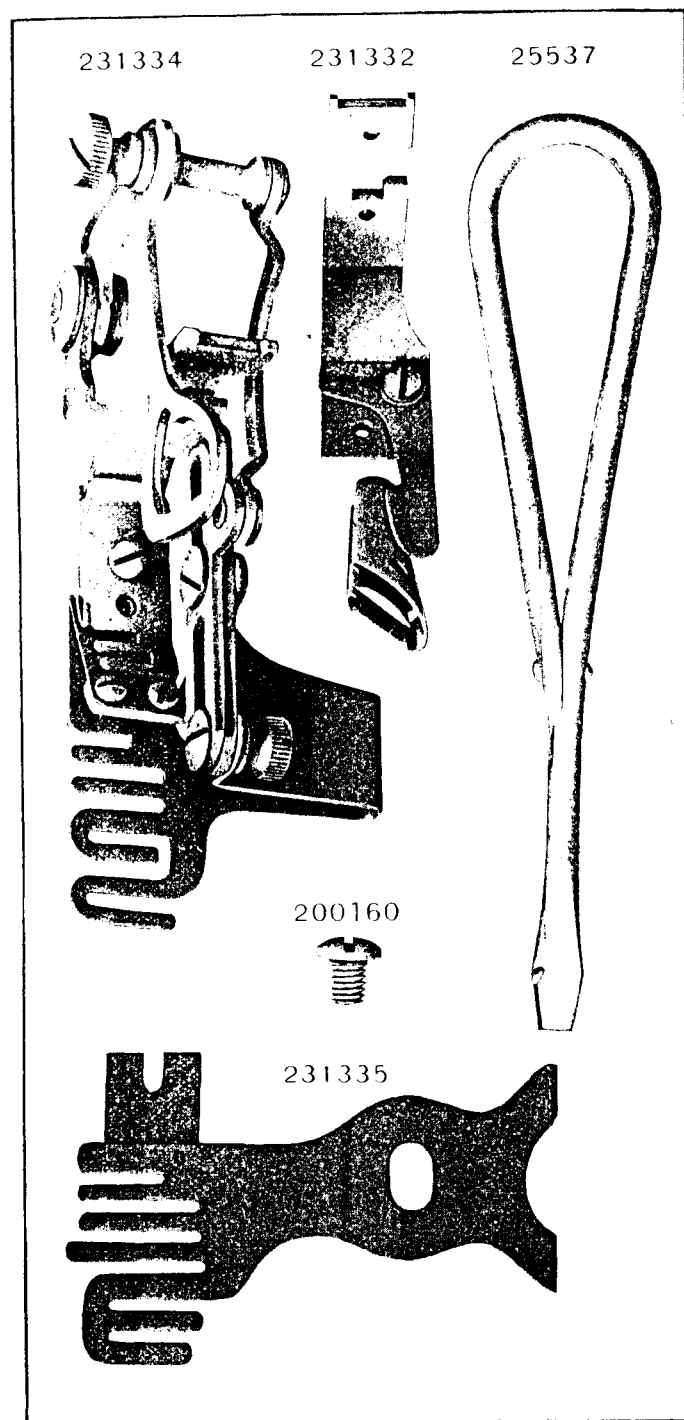


PLATE 11398—FULL SIZE

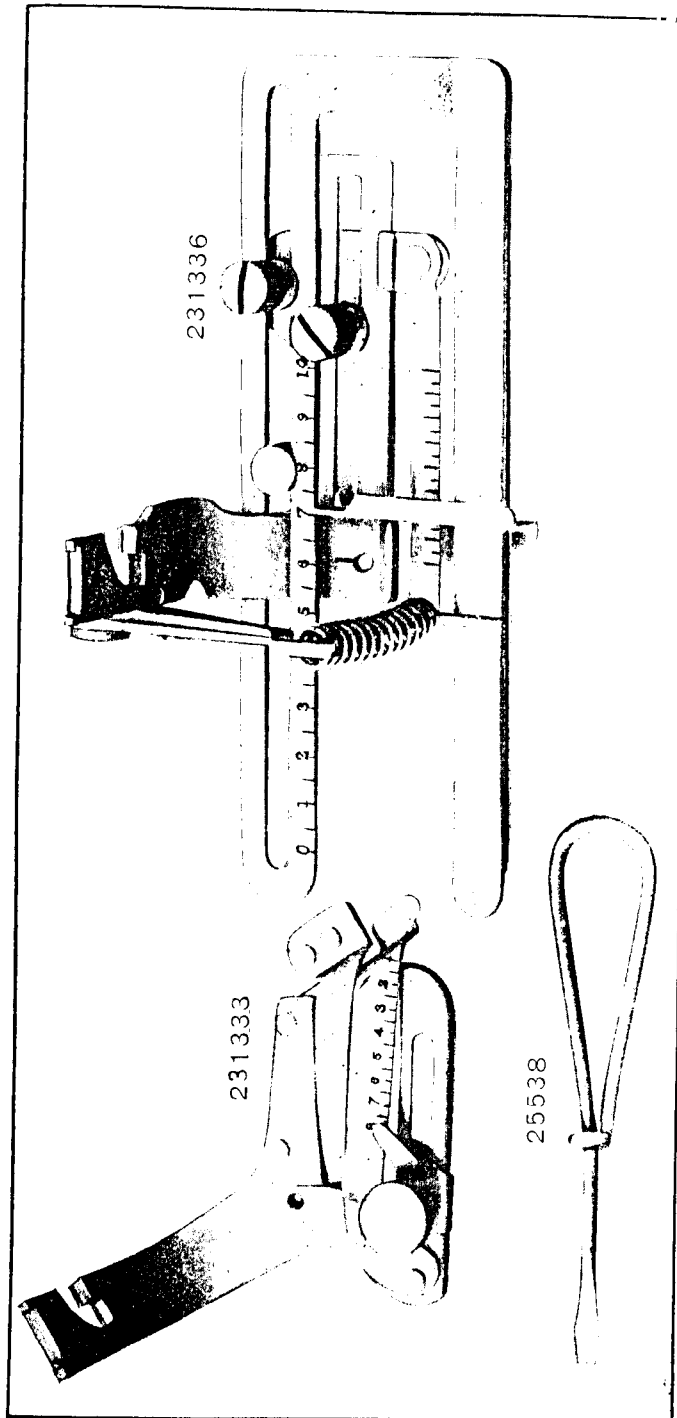


PLATE 11399—FULL SIZE

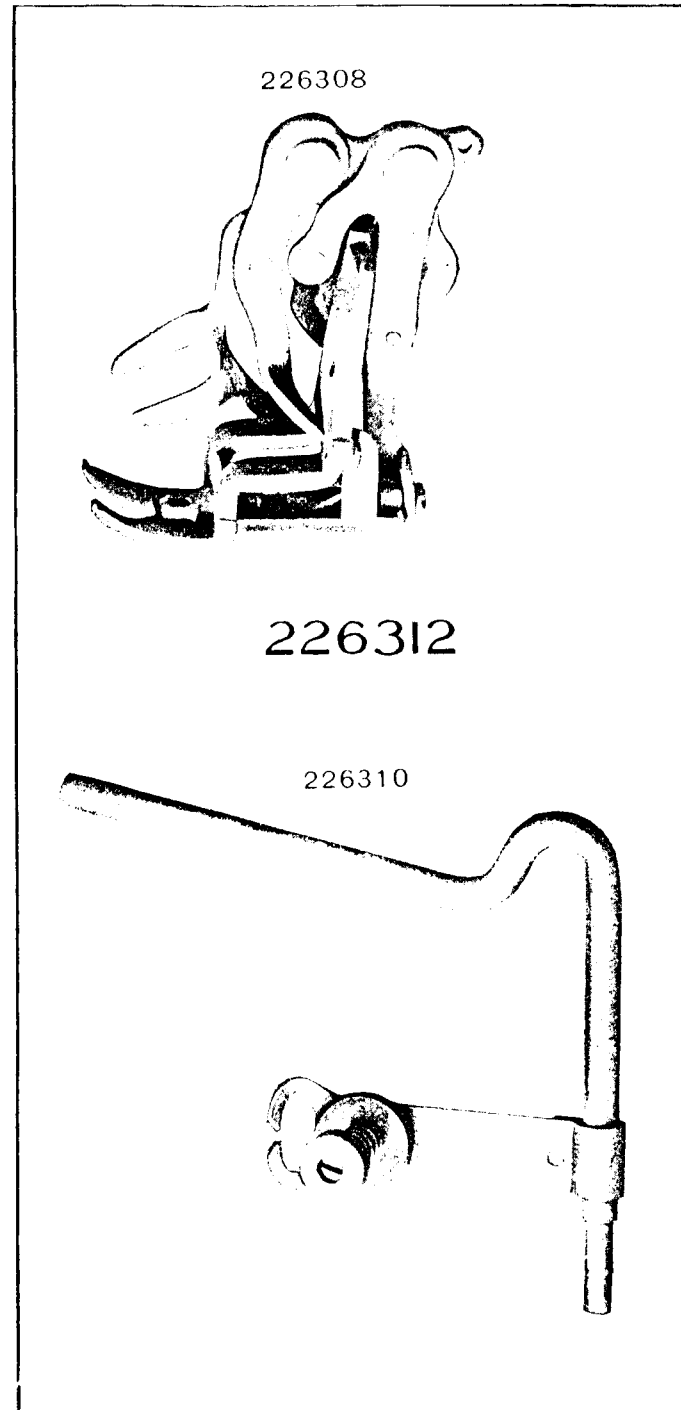


PLATE 11400—FULL SIZE

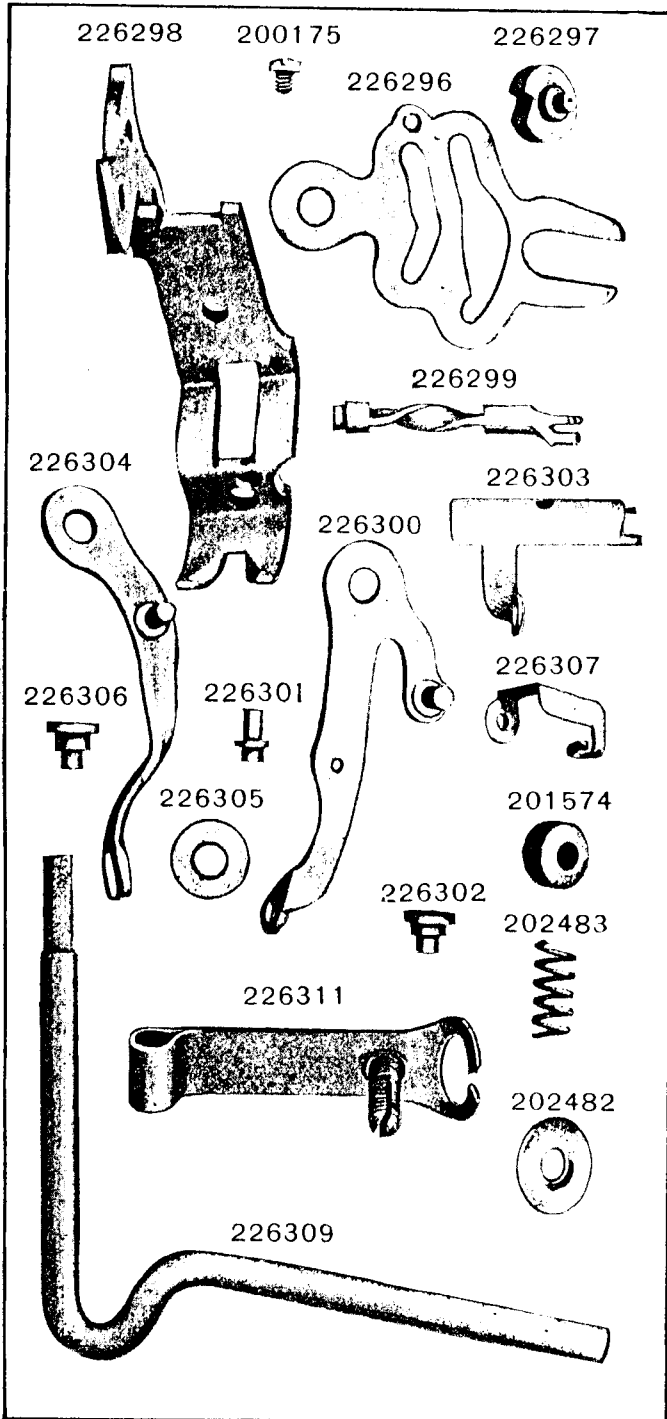


PLATE 11401—ONE HALF SIZE

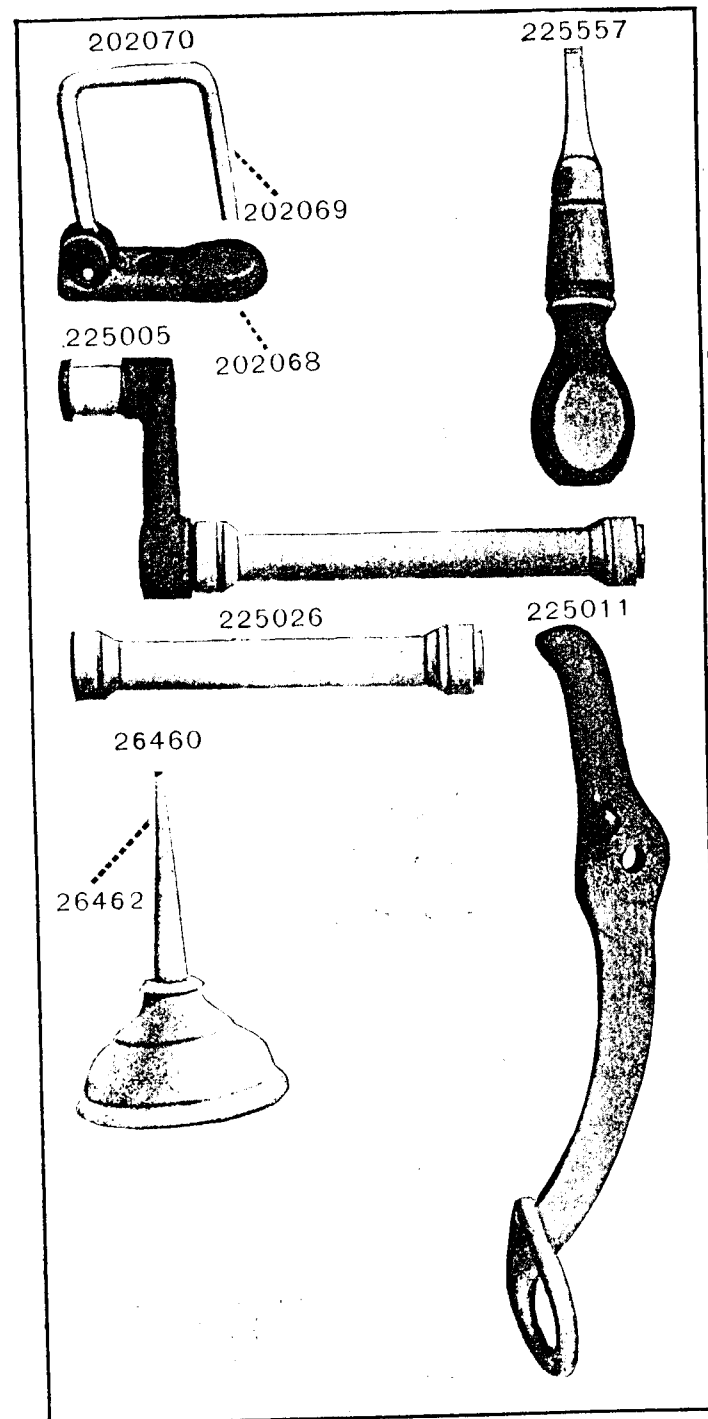


PLATE 11402—FULL SIZE

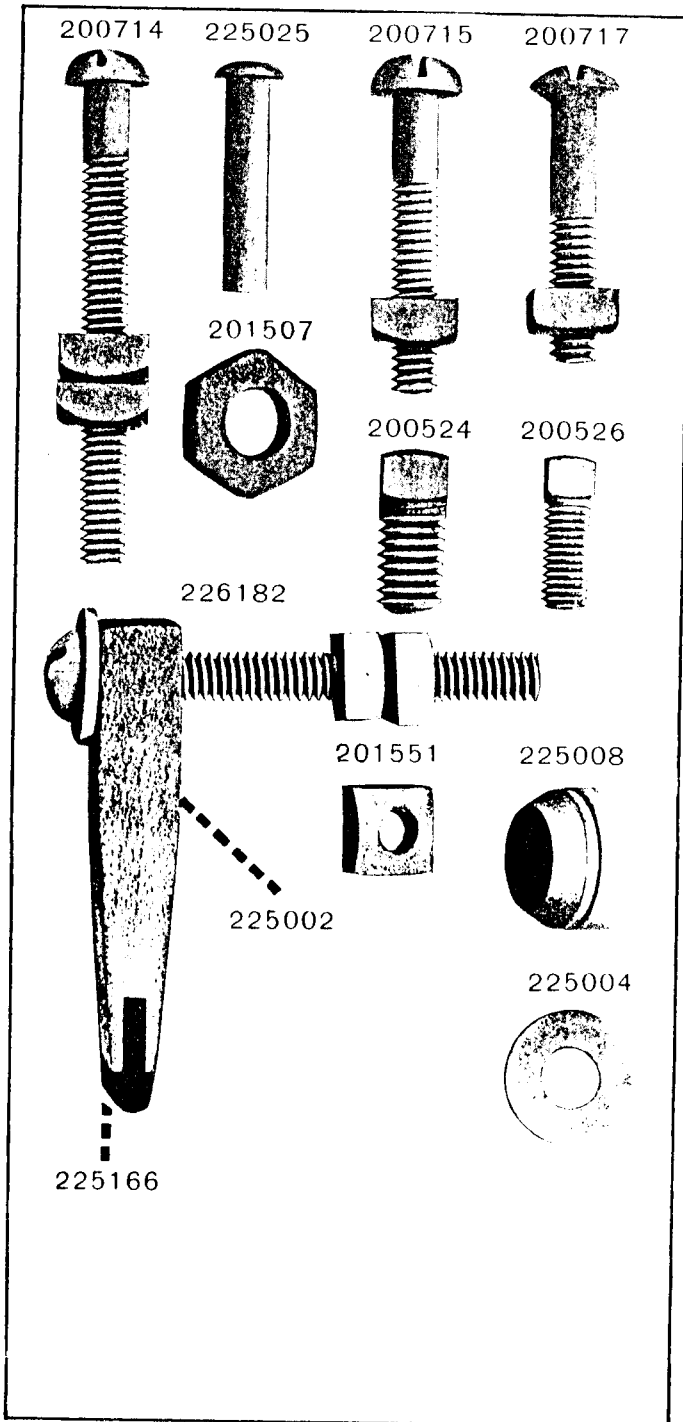


PLATE 11403—FULL SIZE

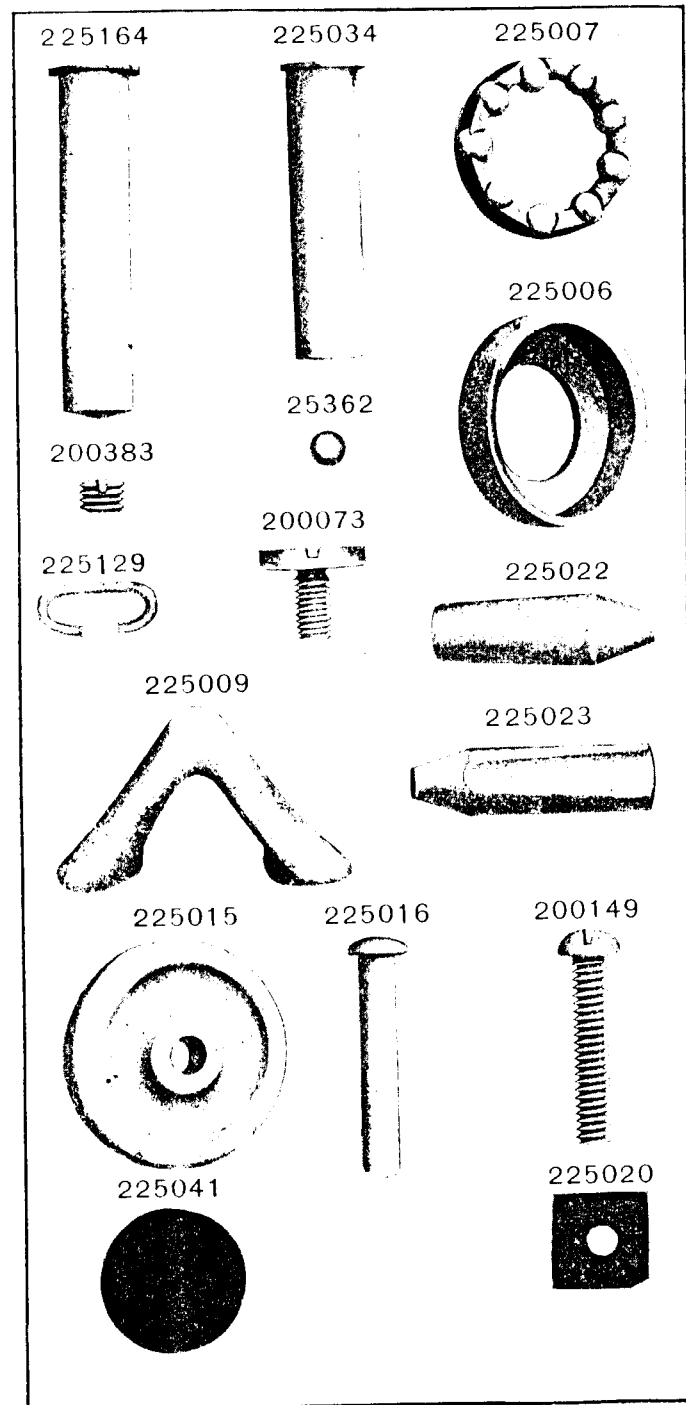


PLATE 11404—FULL SIZE

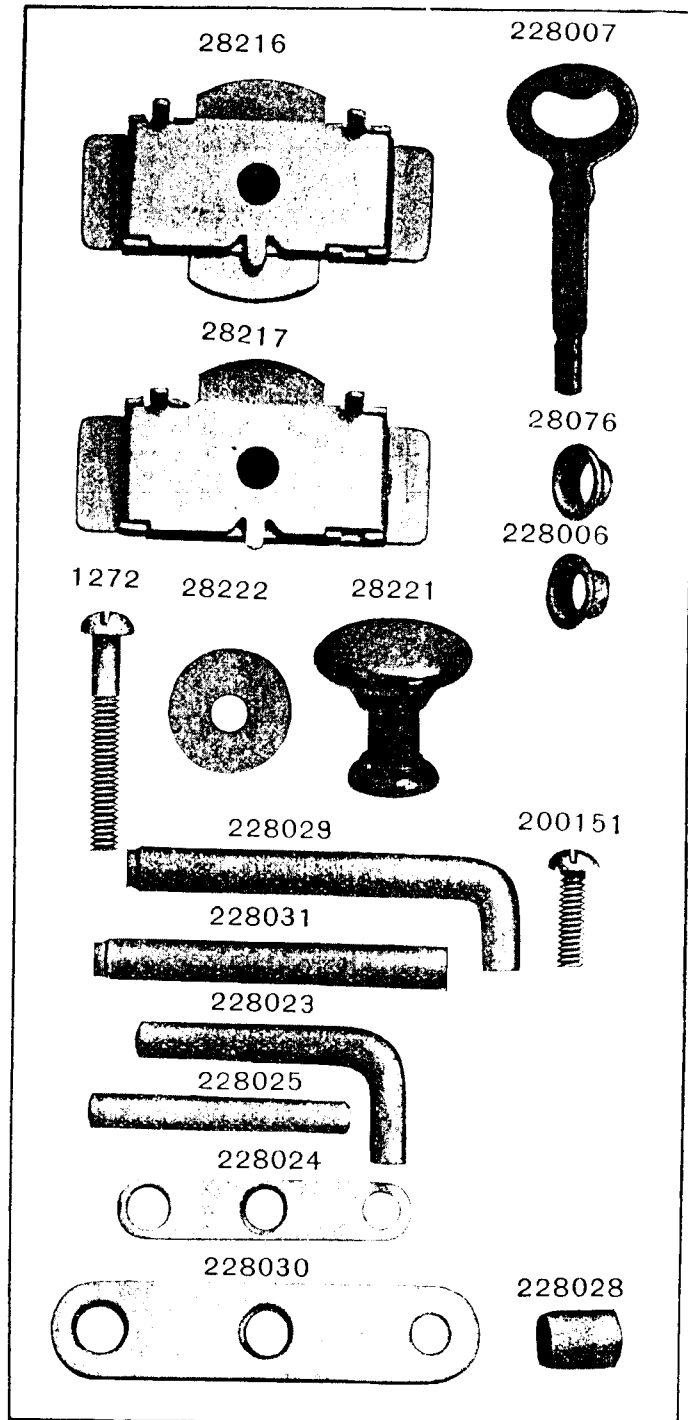


PLATE 11405—FULL SIZE

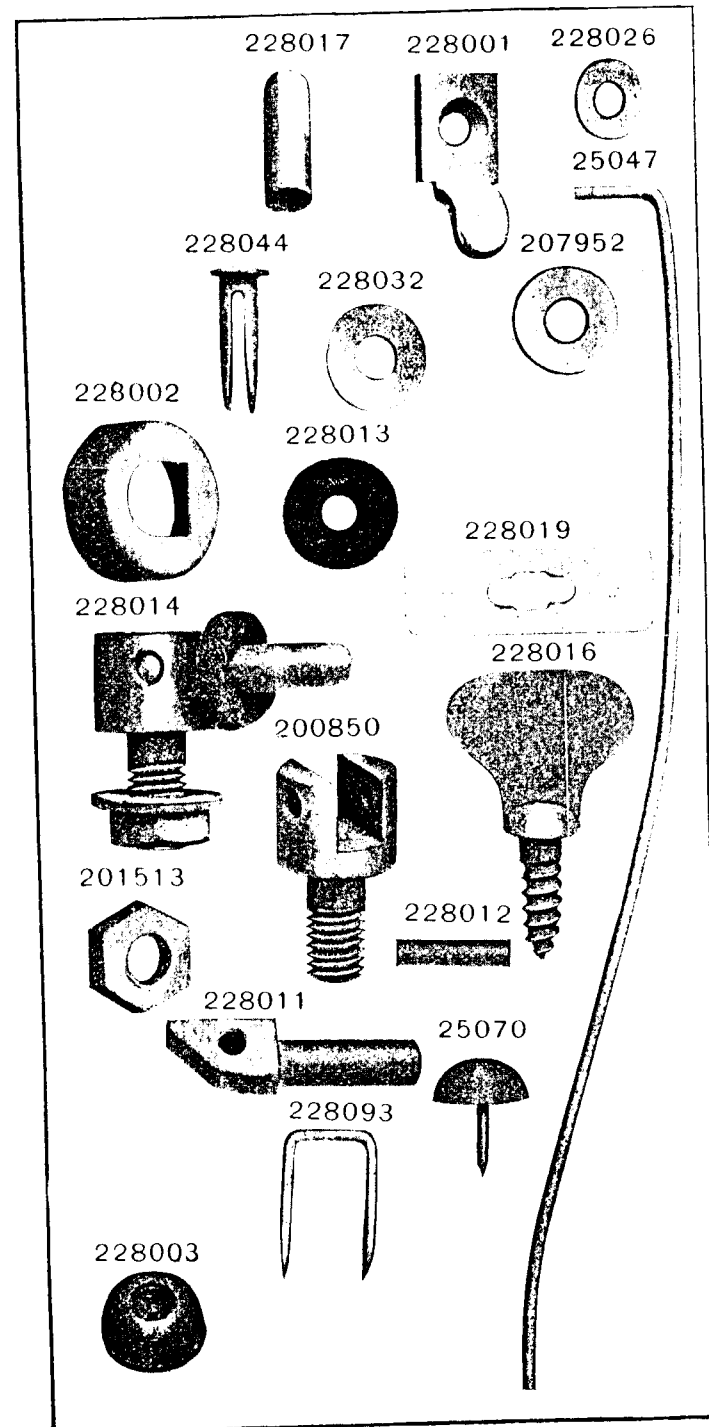


PLATE 11406—ONE HALF SIZE

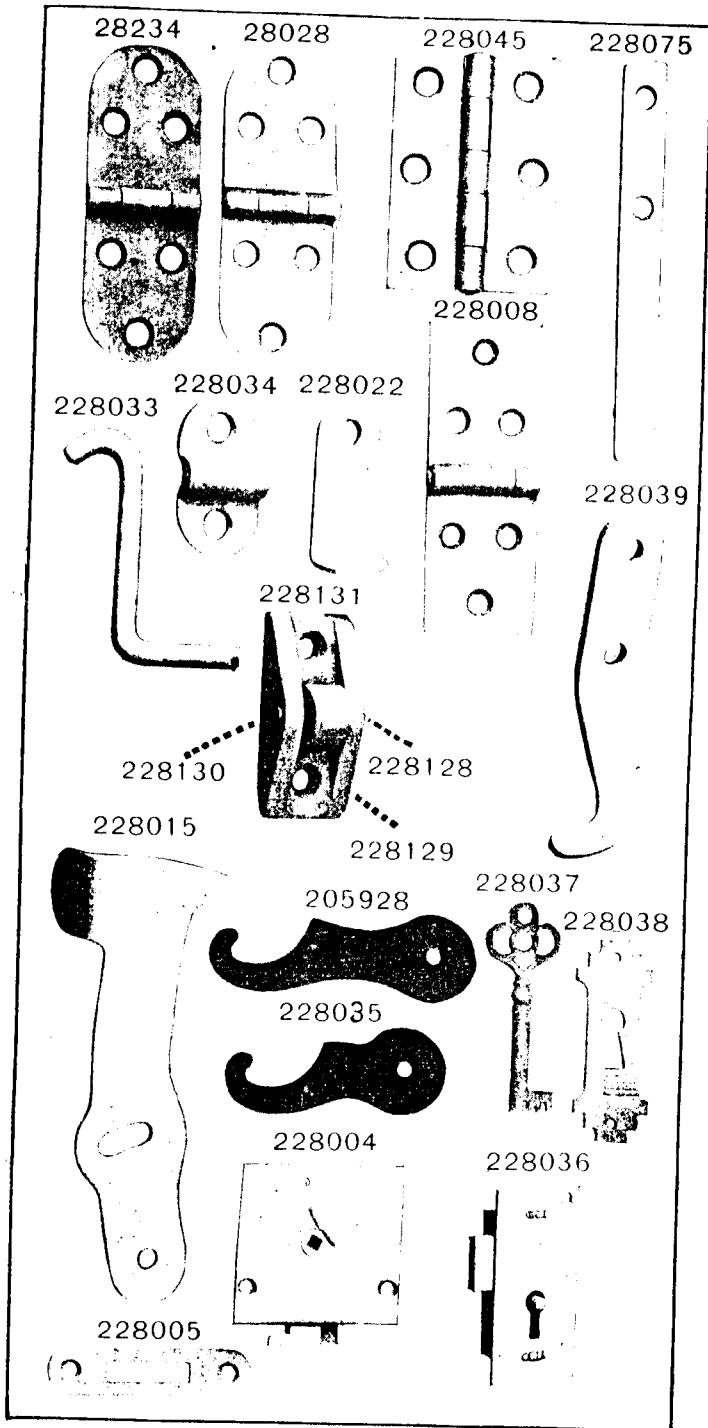


PLATE 11407—ONE FOURTH SIZE

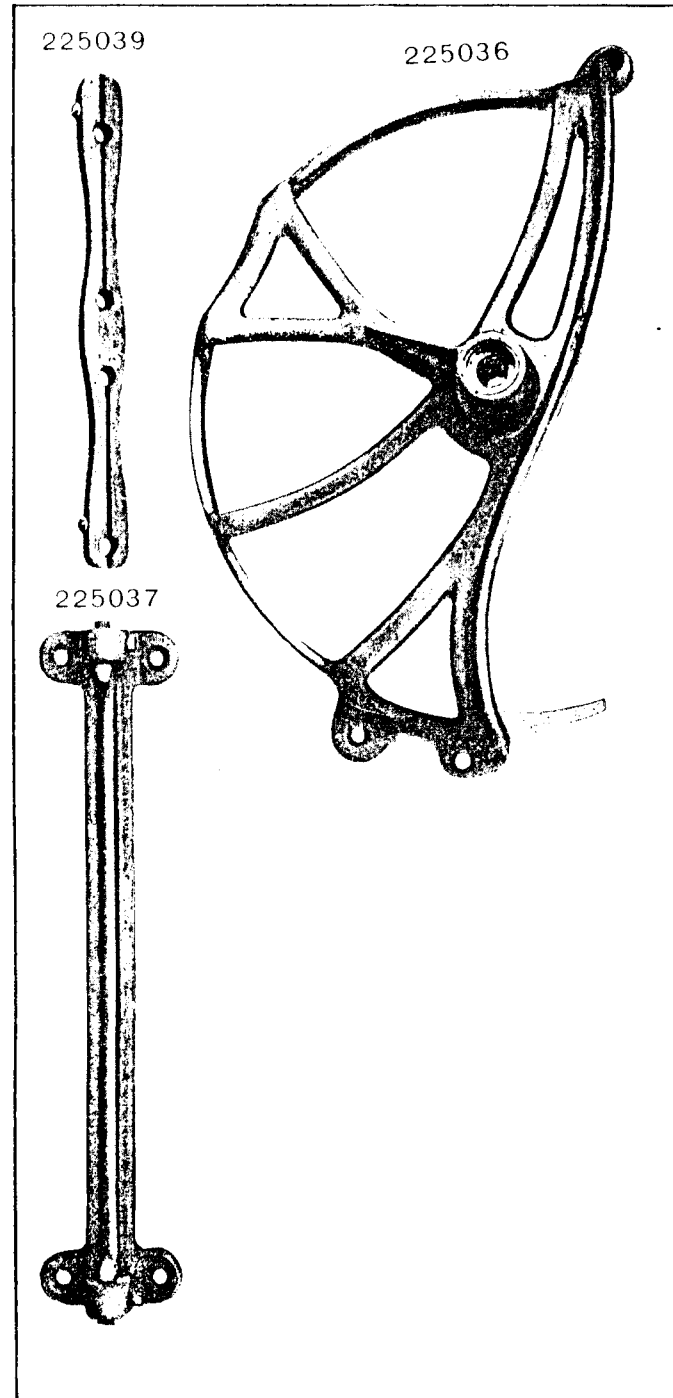


PLATE 11417—FULL SIZE

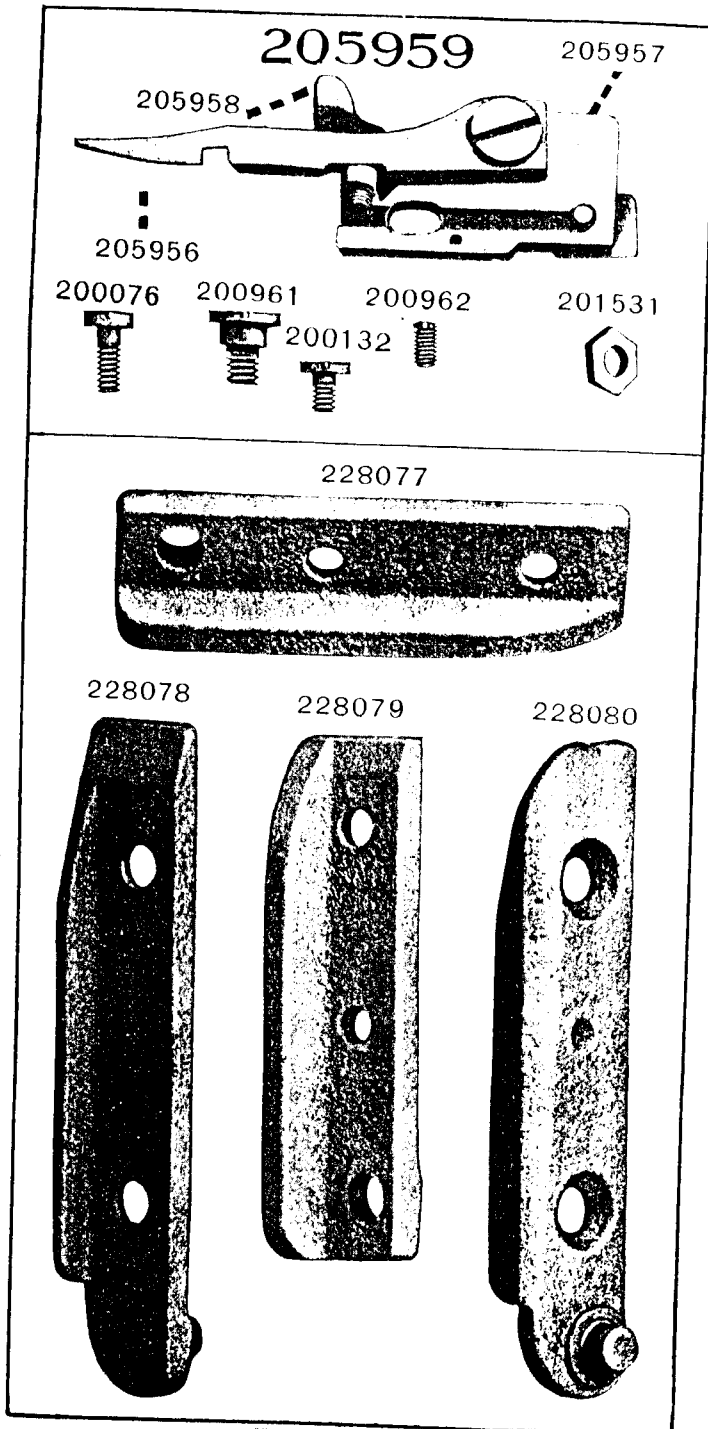


PLATE 11419—FULL SIZE

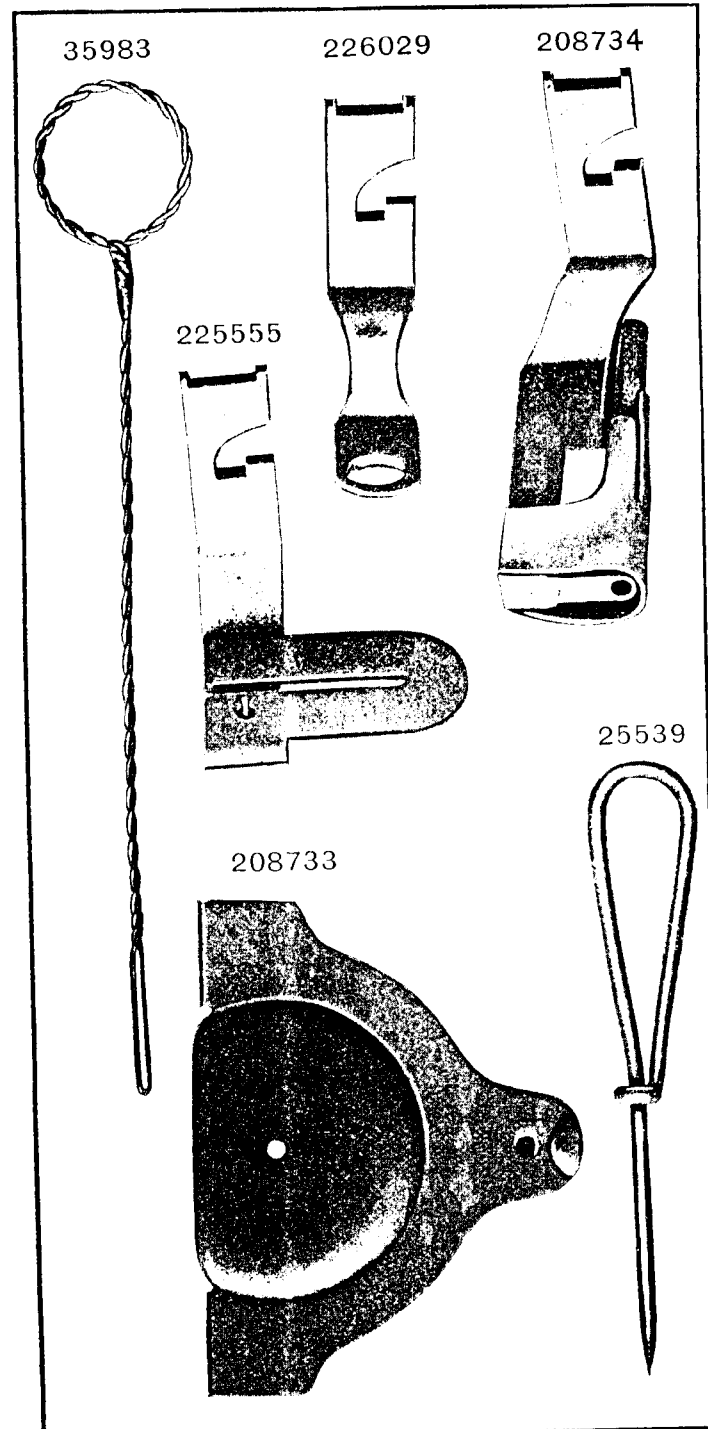


PLATE 11420—ONE HALF SIZE

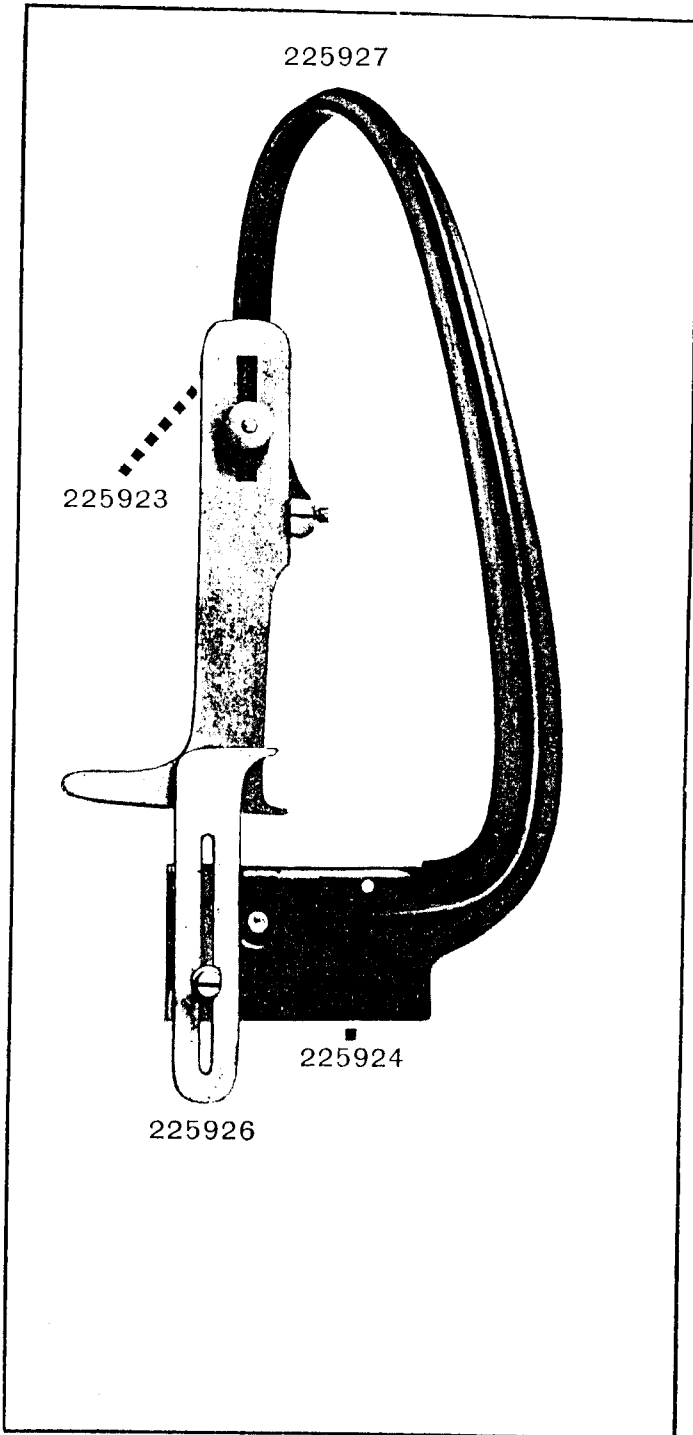


PLATE 11421—FULL SIZE

